

— 追求卓越/卓而不凡 —
THE PURSUIT OF EXCELLENCE EXCELLENCE

华
信
荣
选
型
手
册



深圳市华信荣电子科技有限公司
Shenzhen Huaxinrong Electronic Technology Co., Ltd.

PROFESSIONAL CONNECTOR, SWITCH,
SOCKET MANUFACTURER
DC、Headphones、USB、Pogo pin

CHUANGHAOXIN
ELECTRONICS

专业 · 合作 · 创新 · 价值

深圳市华信荣电子科技有限公司

Shenzhen Huaxinrong Electronic Technology Co., Ltd.

地址：深圳市龙华区观澜福前路颐泉工业园A栋502号

联系人：147 7566 7819 （吕先生）

联系人：198 6662 6646 （刘先生）

联系人：134 2899 8995 （庄先生）

浙江工厂

地址：浙江省乐清市虹桥镇朴湖镇

电话：0577-62316016

传真：0577-62316016



► 专业连接器、开关、插座制造商

检测生产设备



2.5次元测绘仪



导通测试仪



打端子机



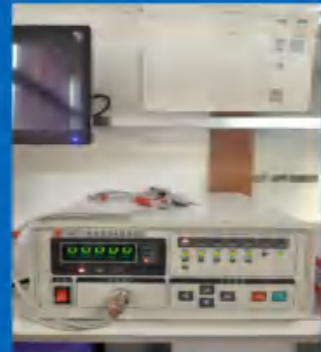
微电脑插拔力测试仪

公司针对客户日益提升的需求，配置了各种先进的生产设备 & 检测设备，对产品从原材料、生产过程、成品等全过程进行监控，使产品的各项理化指标都能满足客户或超越客户的要求。

只有高品质、高效率、低成本的产品才是值得客户信赖的。生产管理系统，检测试验系统，质量控制系统等融合于所有产品生产过程中，广泛应用于先进的技术，生产和检验设备，真正做到高品质、高标准服务于国内外客户。



投影仪



直流低电阻测试仪



恒温恒湿试验箱



全自动插拔测试仪



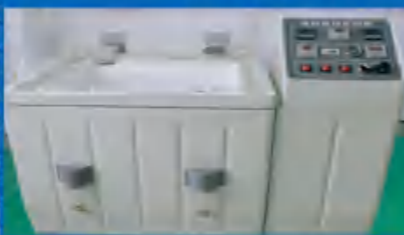
无铅回流焊



卷带包装



膜厚测试仪



盐水喷雾试验机



手工生产车间



自动机生产车间



自动机生产车间



自动机生产车间



铣床车间

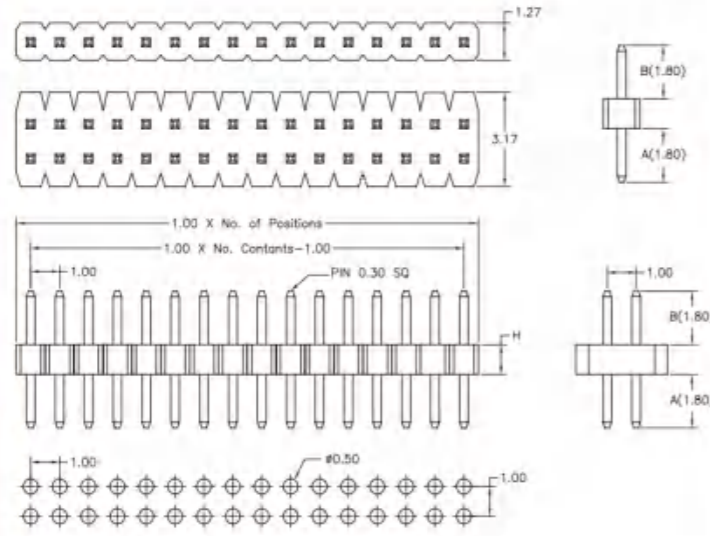
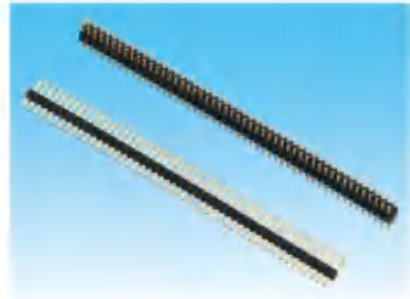


磨床车间

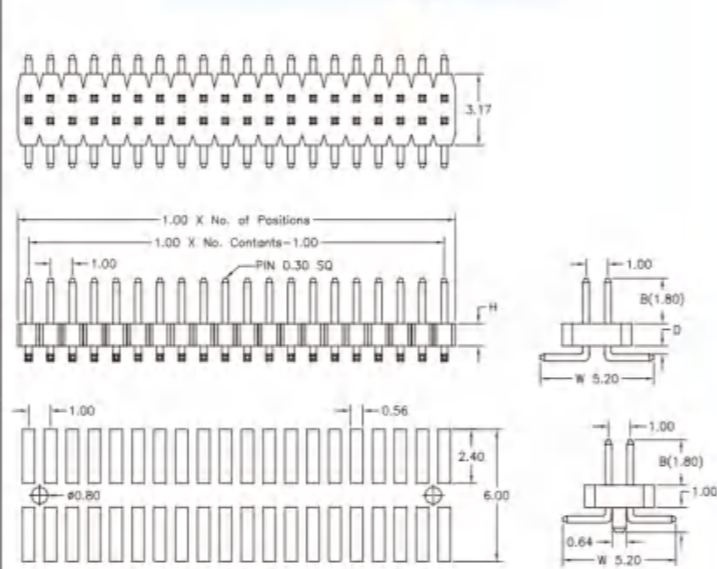
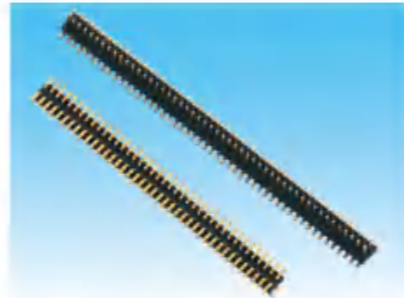
目录索引

| | |
|-----------------------------------|---------|
| 1.0mm Pin Header..... | 001 |
| 1.27mm Pin Header..... | 002-003 |
| 2.0mm Pin Header..... | 004-005 |
| 2.54mm Pin Header..... | 006-007 |
| 1.27mm Female Header..... | 008-009 |
| 2.0mm Female Header..... | 010-013 |
| 2.54mm Pin Header..... | 014-019 |
| 1.27mm Box Header..... | 020 |
| 2.0mm Box Header..... | 021 |
| 2.54mm Box Header..... | 022-023 |
| Connector Series..... | 024-027 |
| 快插系列..... | 028 |
| Connector with column series..... | 029 |
| POPG PIN..... | 030-033 |
| 板对板系列..... | 034 |
| 电池座..... | 035 |
| FPC系列..... | 036-037 |
| FFC..... | 038 |
| RJ45/RJ11..... | 039-041 |
| TYPE-C 3.1..... | 042-047 |
| USB 3.0..... | 048 |
| USB 2.0..... | 049-051 |
| DR/DP系列..... | 052 |
| MICRO USB..... | 053-055 |
| 拨动开关..... | 056-057 |
| 轻触开关..... | 058-060 |
| 检测开关..... | 061-062 |
| 3.5耳机插座..... | 063 |
| DC电源插座..... | 064-066 |

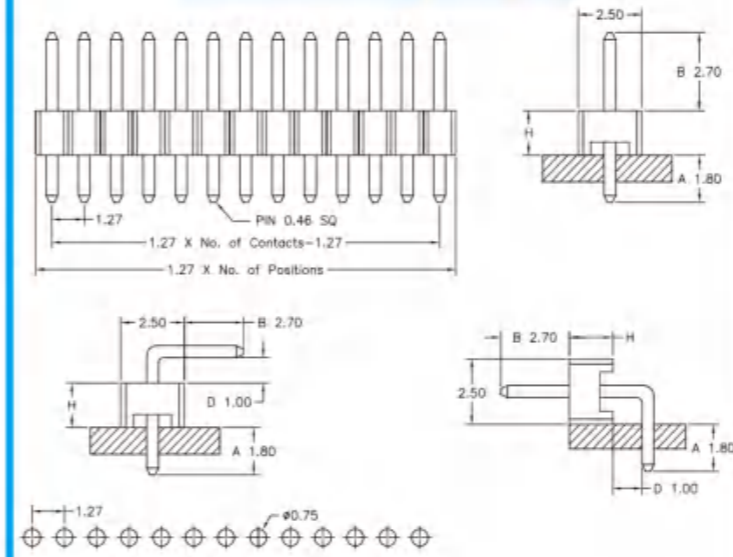
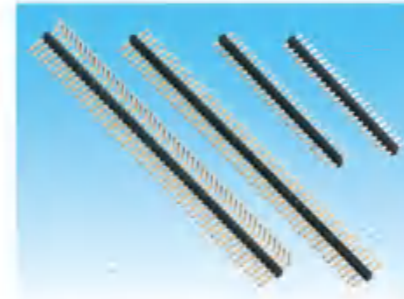
1.00mm Pin Header, Single/Dual Row, Straight



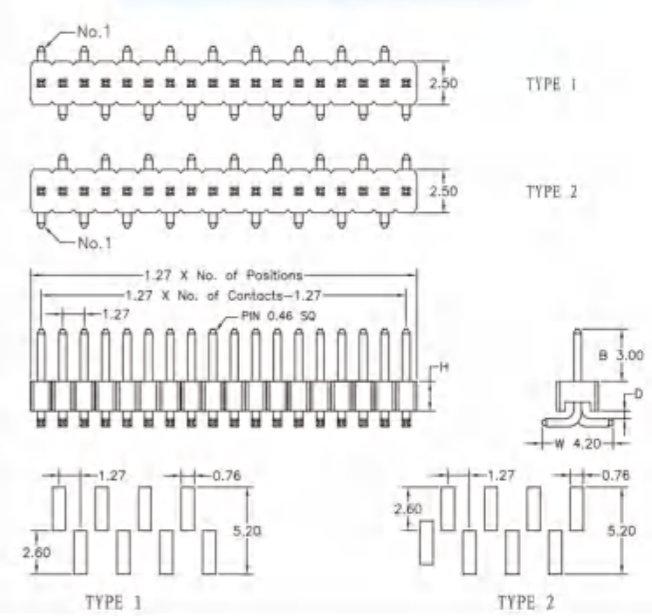
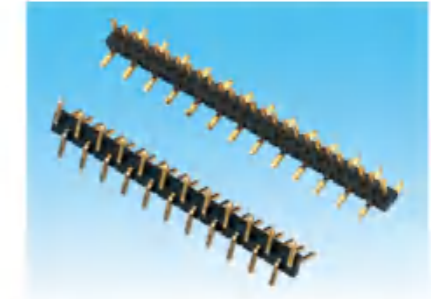
1.00mm Pin Header, Dual Row, S. M. T



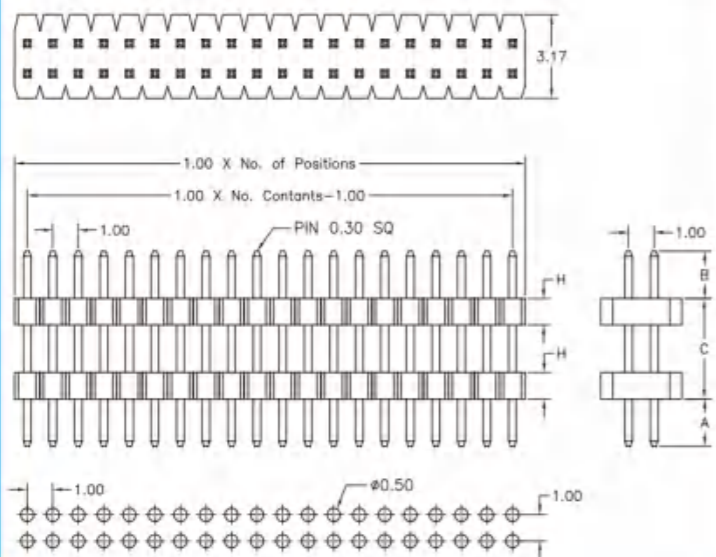
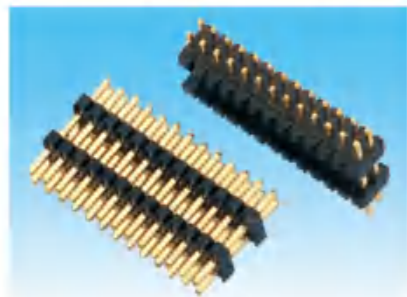
1.27mm, 0.46SQ Pin Header, Single Row, Straight/Right Angle



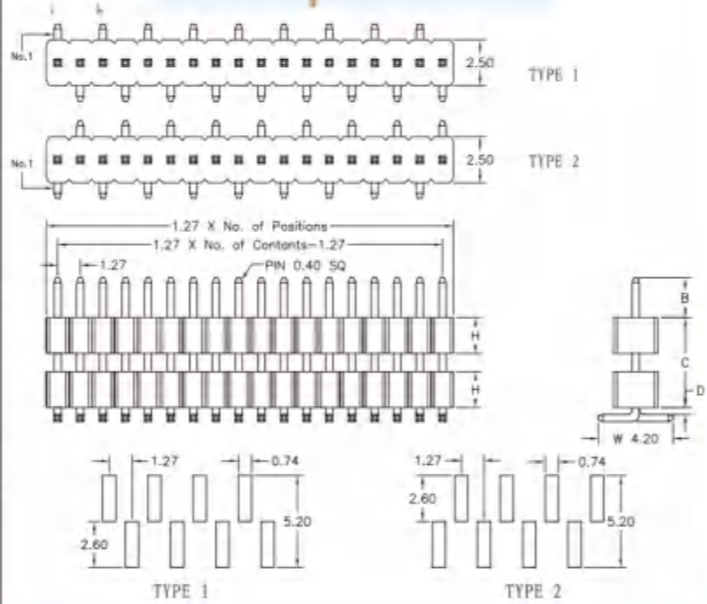
1.27mm, 0.46SQ Pin Header, Single Row, S. M. T



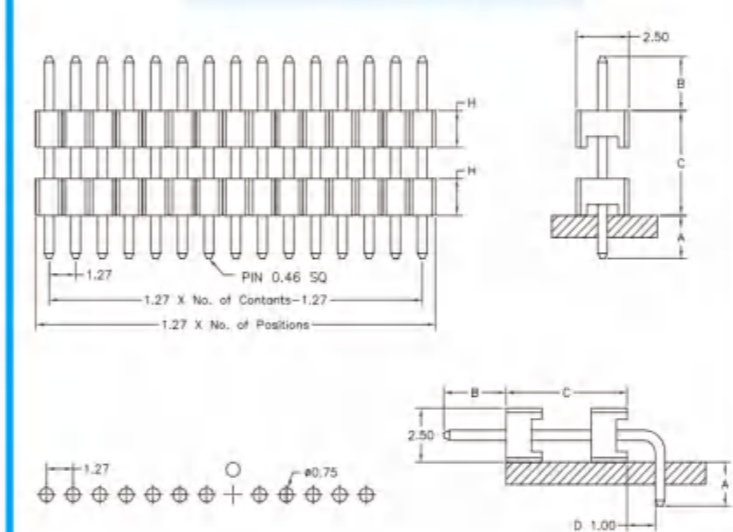
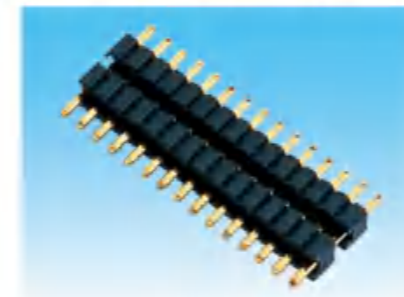
1.00mm Board Spacer, Dual Row, Straight



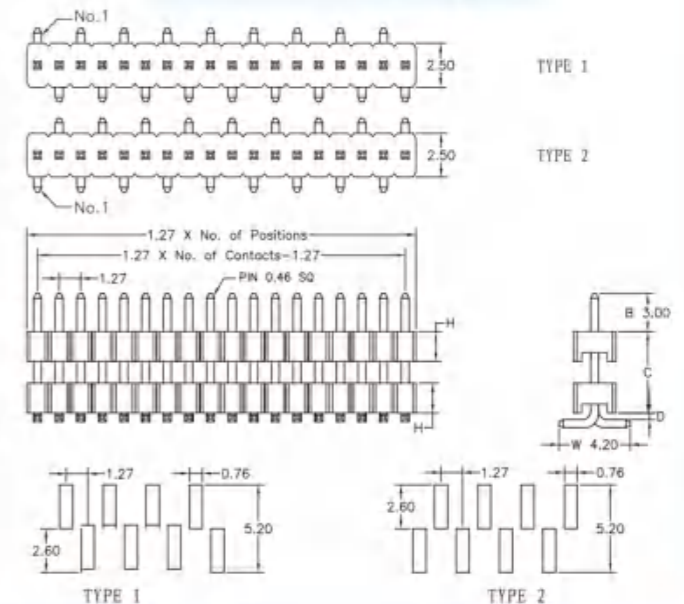
1.27mm, 0.40SQ Board Spacer, Single Row, S. M. T



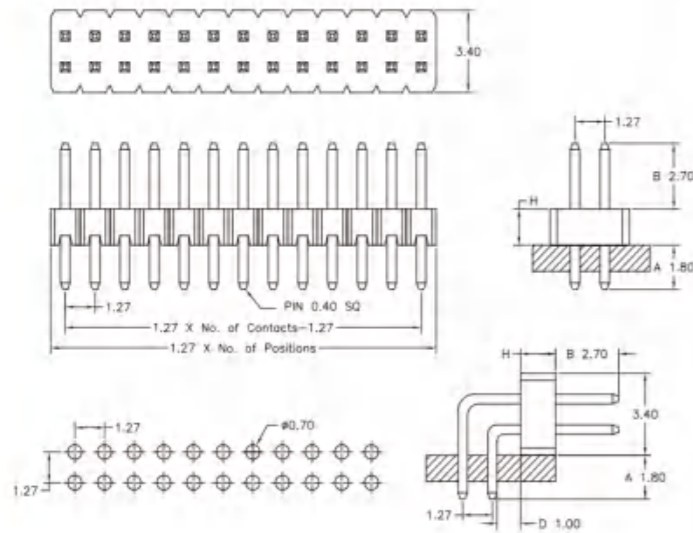
1.27mm, 0.46SQ Board Spacer, Single Row, Straight/Right Angle



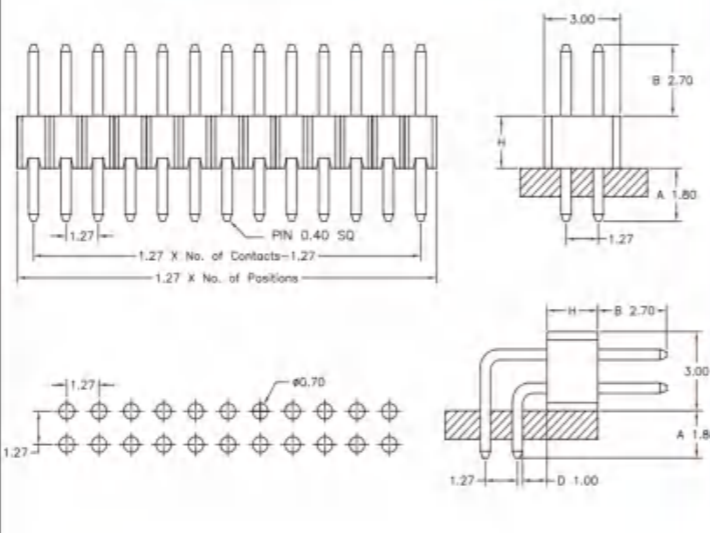
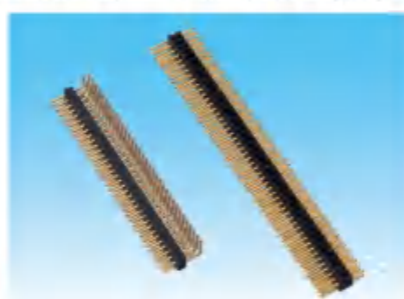
1.27mm, 0.46SQ Board Spacer, Single Row, S. M. T



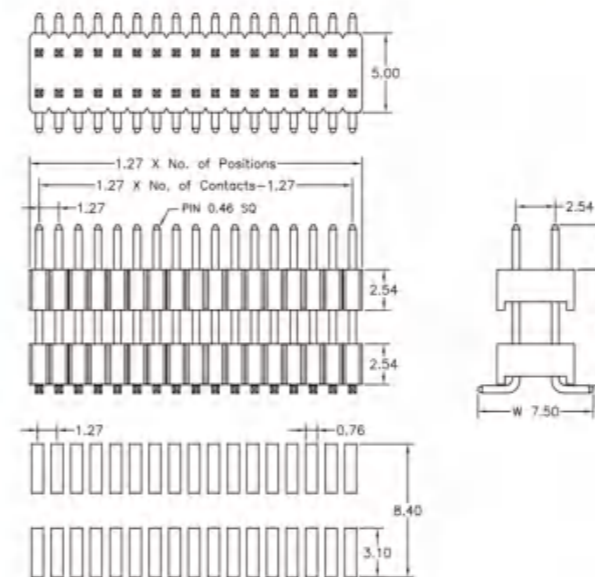
1.27mm Pin Header, Dual Row, Straight/Right Angle



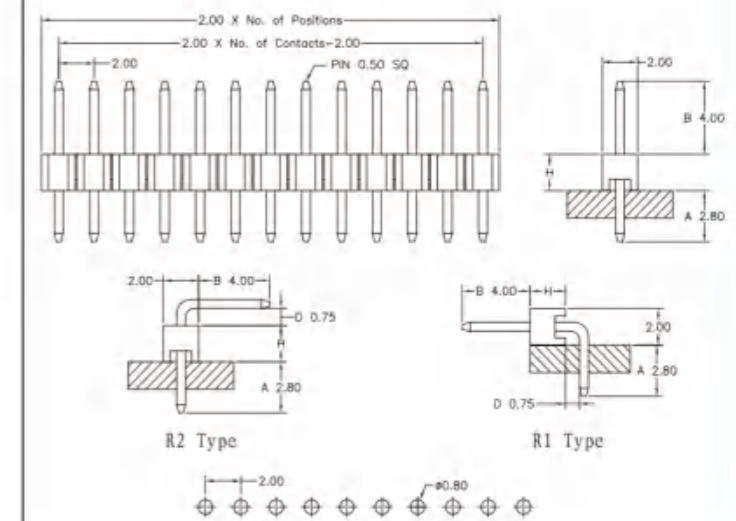
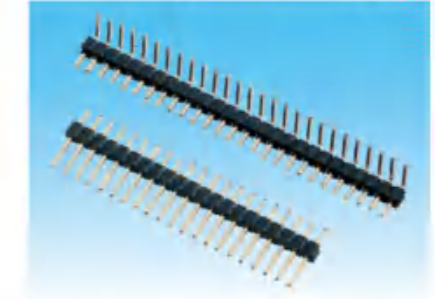
1.27mm Pin Header, Dual Row, Straight/Right Angle



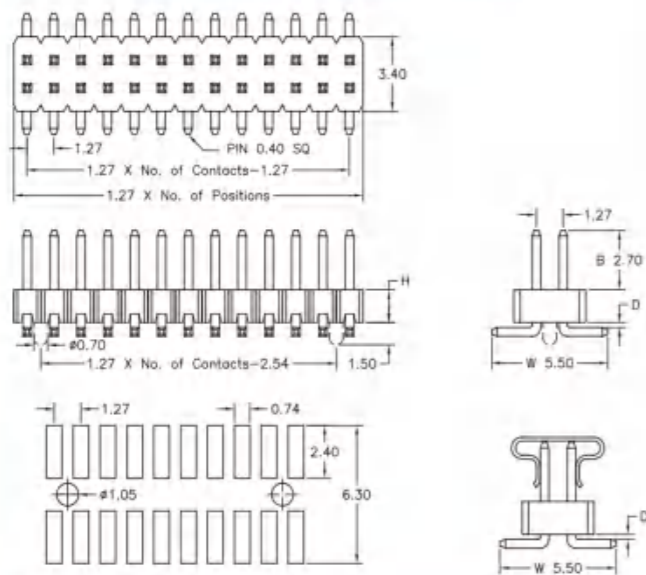
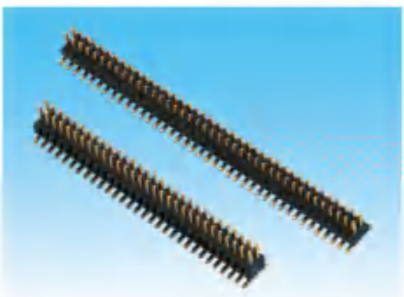
1.27*2.54mm Board Spacer, Dual Row, S.M.T



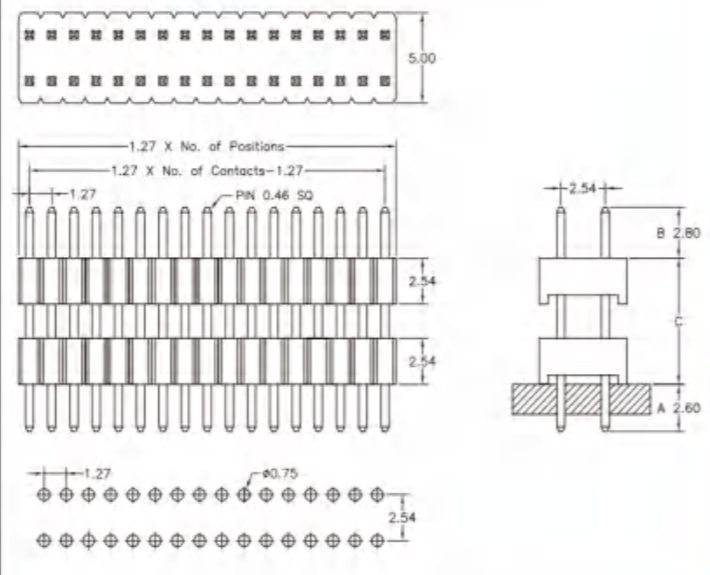
2.00mm Pin Header, Single Row, Straight/Right Angle



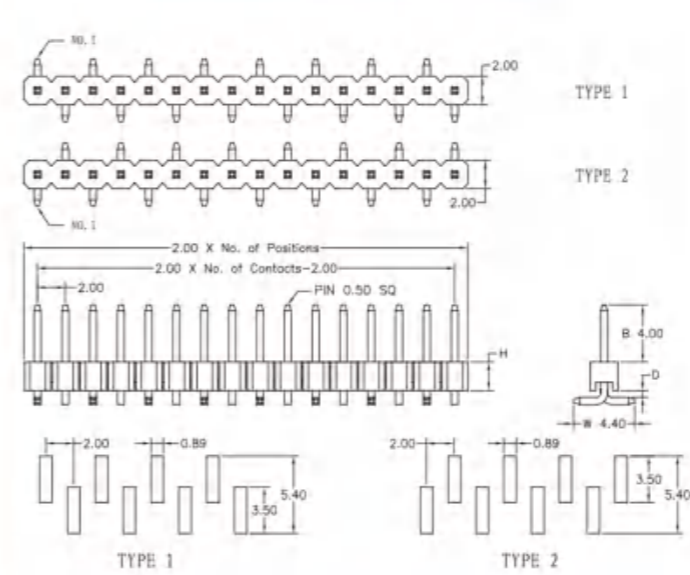
1.27mm Pin Header, Dual Row, S.M.T



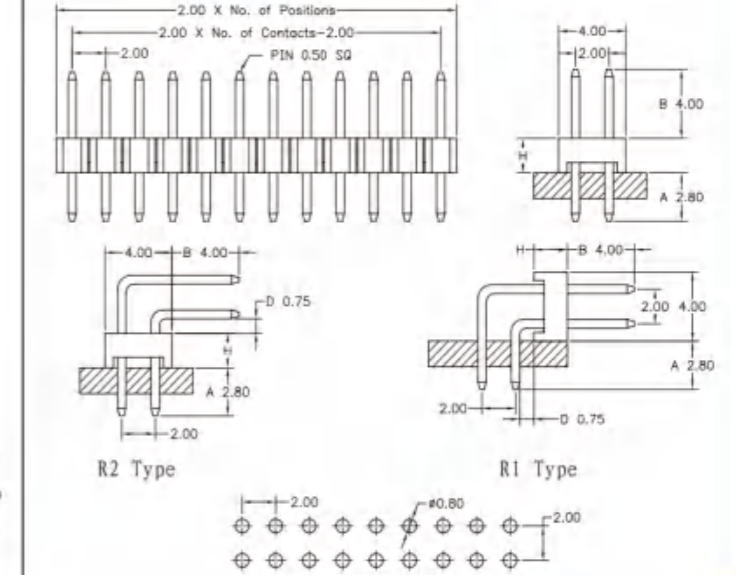
1.27*2.54mm Board Spacer, Dual Row, Straight



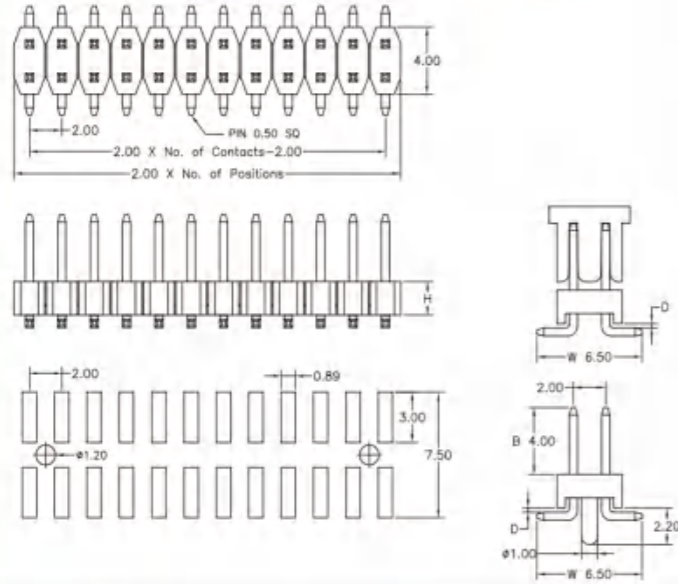
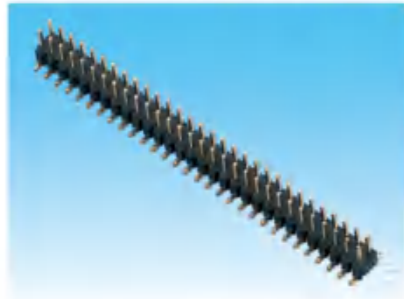
2.00mm Pin Header, Single Row, S.M.T



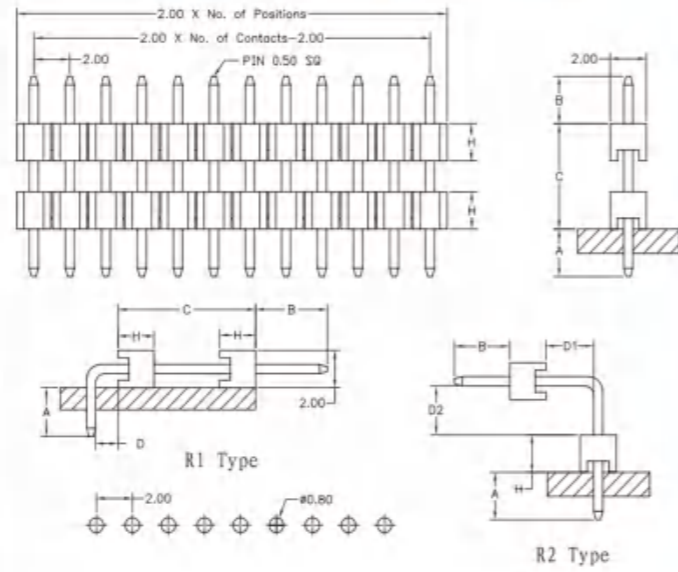
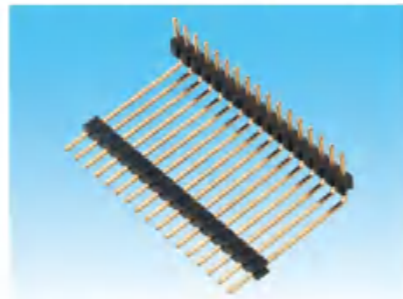
2.00mm Pin Header, Dual Row, Straight/Right Angle



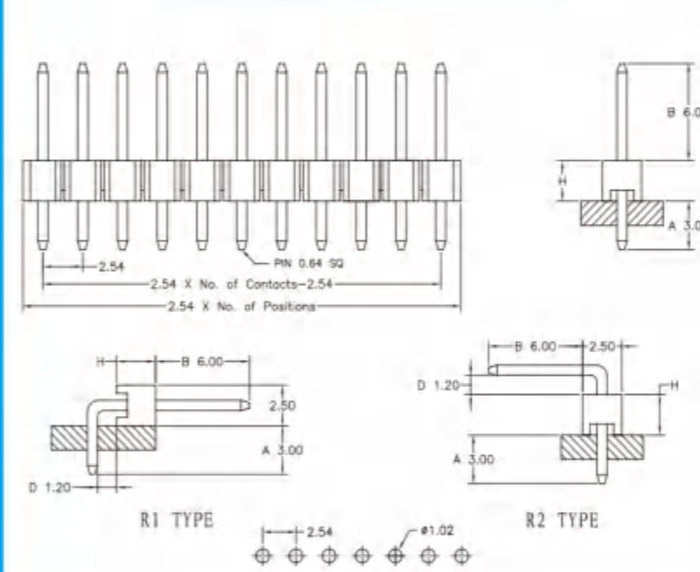
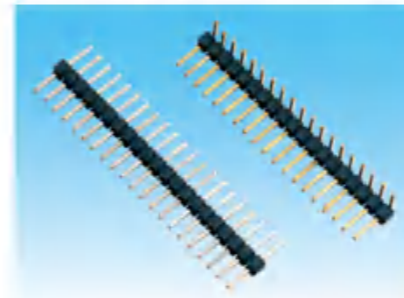
2.00mm Pin Header, Dual Row, S. M. T



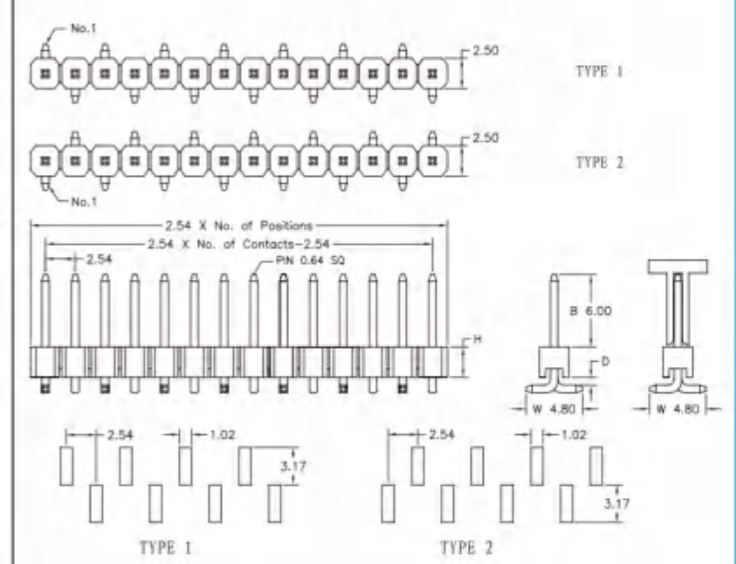
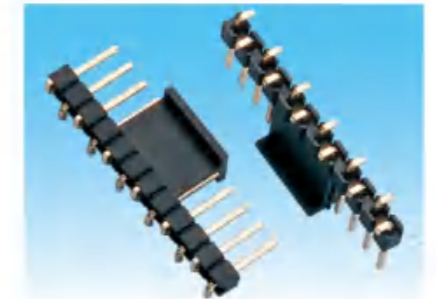
2.00mm Board Spacer, Single Row, Straight/Right Angle



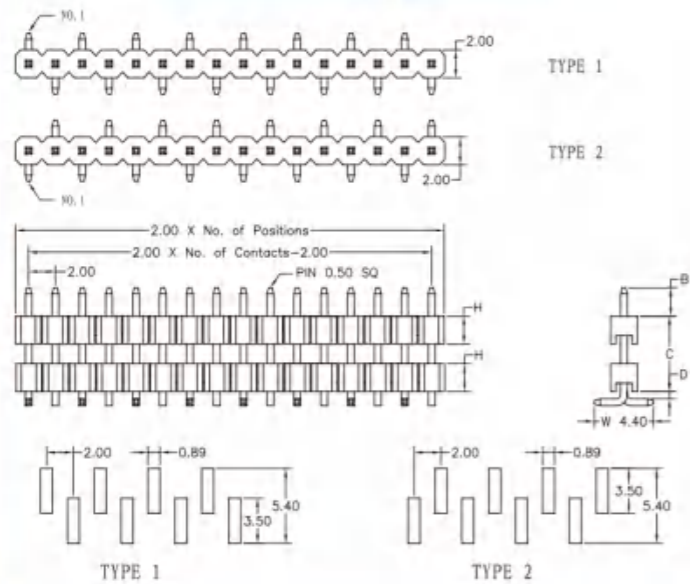
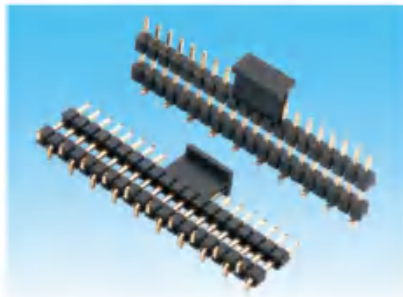
2.54mm Pin Header, Single Row, Straight/Right Angle



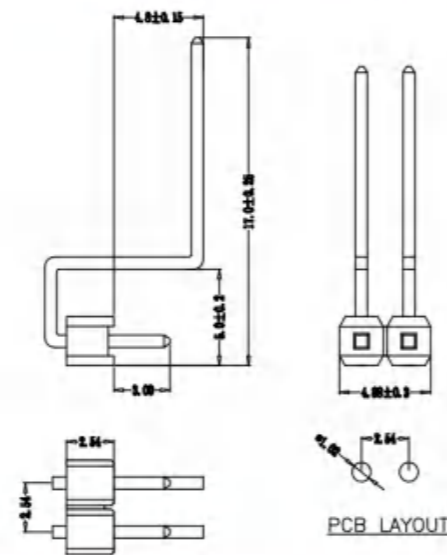
2.54mm Pin Header, Single Row, S. M. T



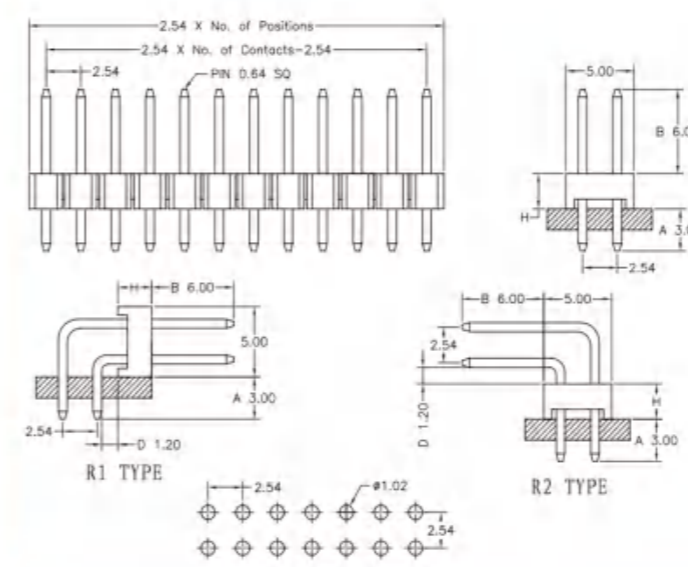
2.00mm Board Spacer, Single Row, S. M. T



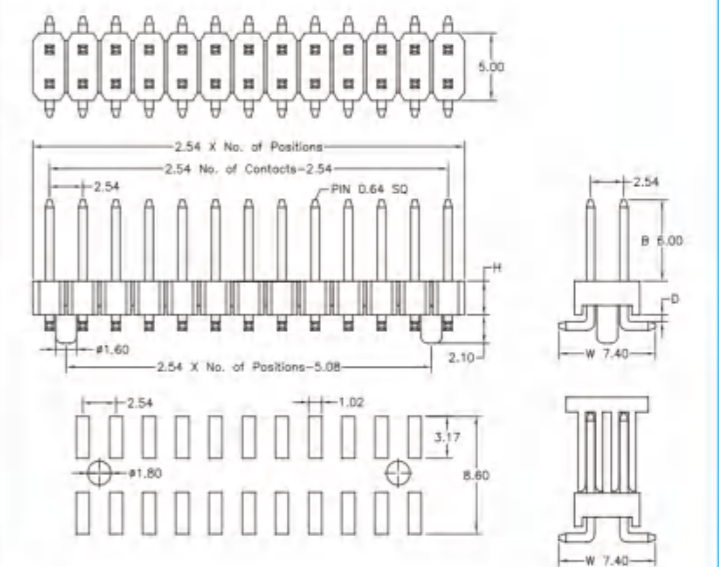
2.54mm Pin Header



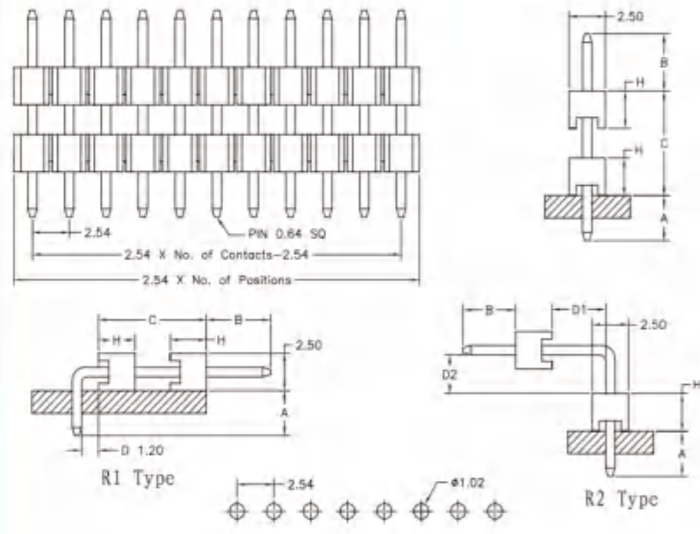
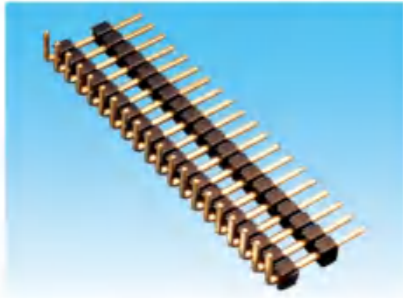
2.54mm Pin Header, Dual Row, Straight/Right Angle



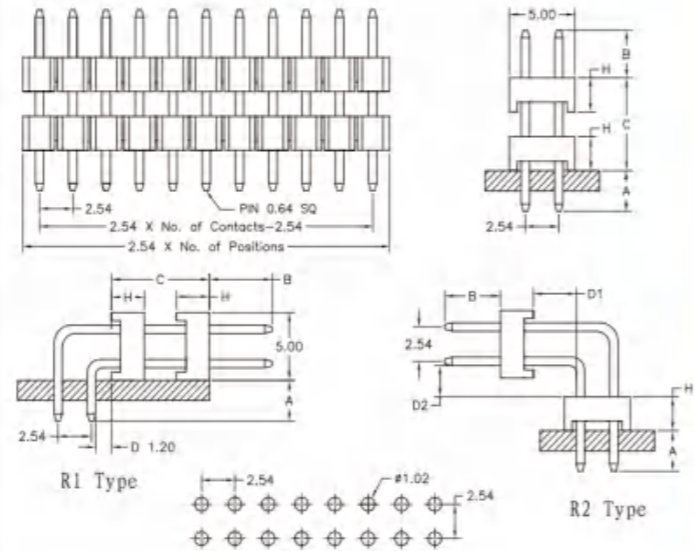
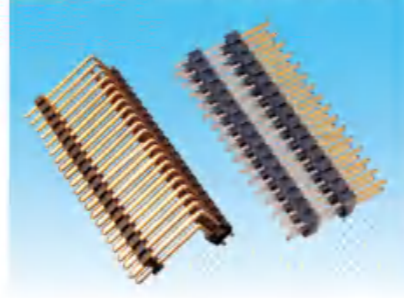
2.54mm Pin Header, Dual Row, S. M. T



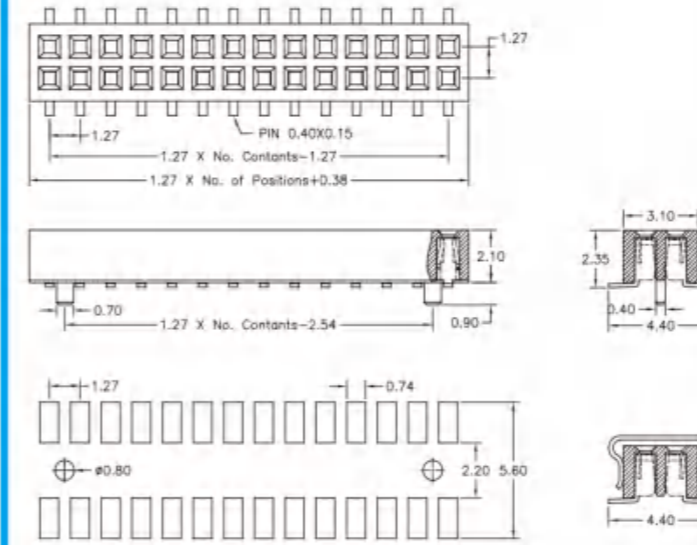
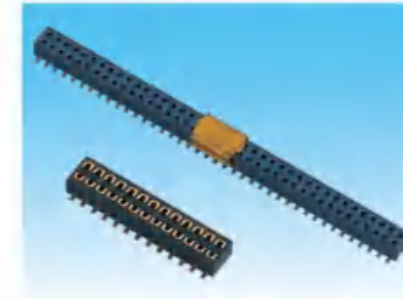
2.54mm Board Spacer, Single Row, Straight/Right Angle



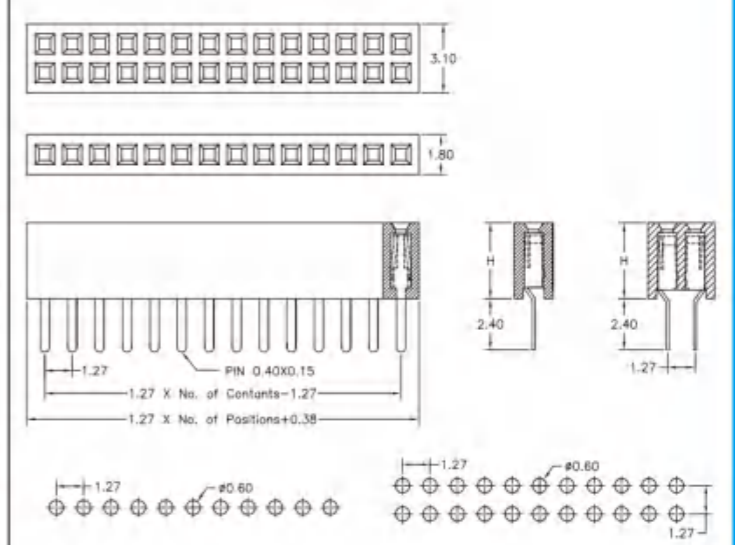
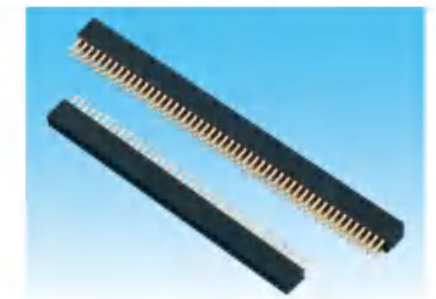
2.54mm Board Spacer, Dual Row, Straight/Right Angle



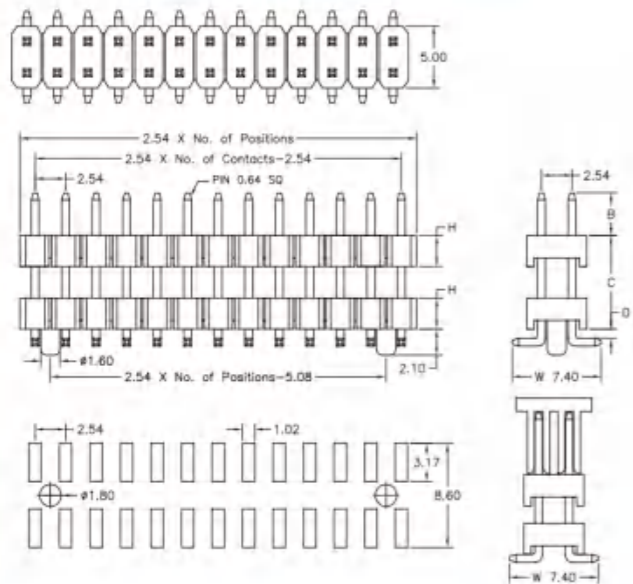
1.27mm Female Header, Dual Row, S.M.T



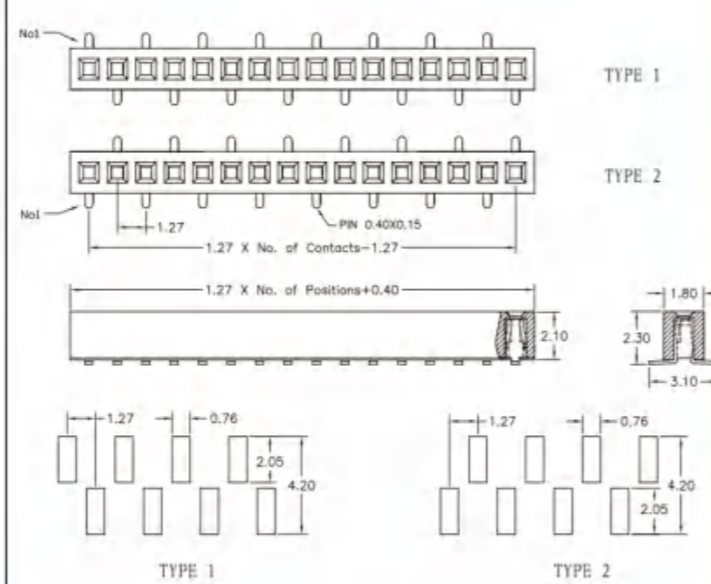
1.27mm Female Header, Single/Dual Row, Straight



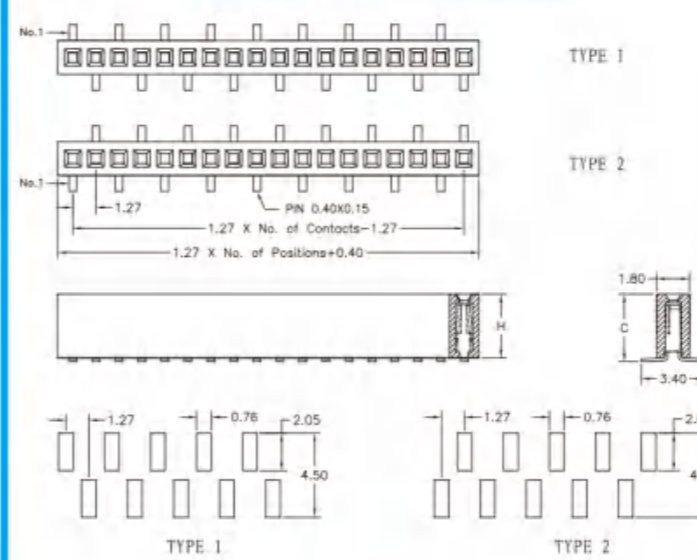
2.54mm Board Spacer, Dual Row, S.M.T



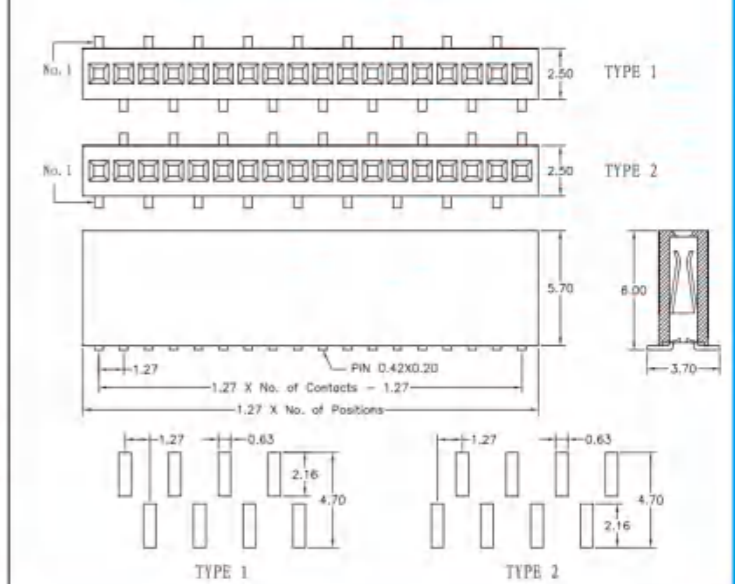
1.27mm Female Header, Single Row, S.M.T



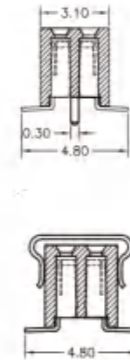
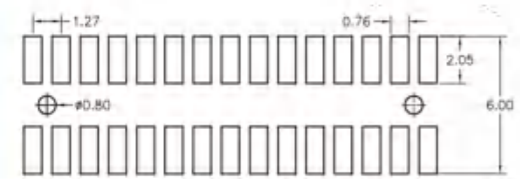
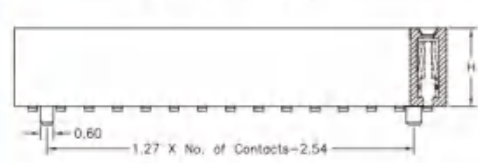
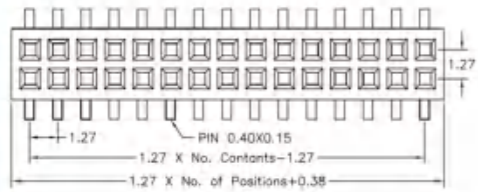
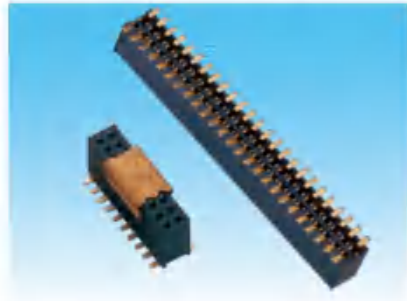
1.27mm Female Header, Single Row, S.M.T



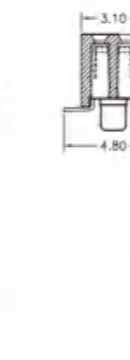
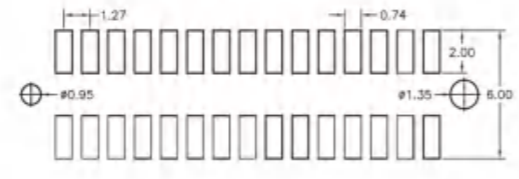
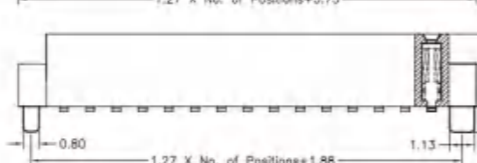
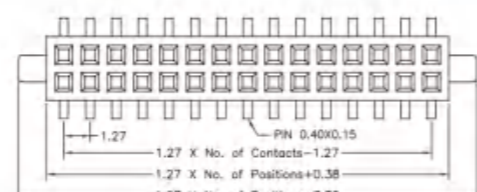
1.27mm Female Header, Single Row, S.M.T



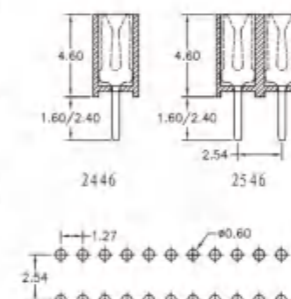
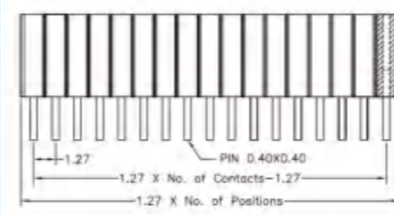
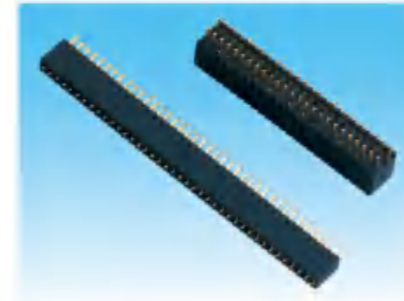
1.27mm Female Header, Dual Row, S. M. T



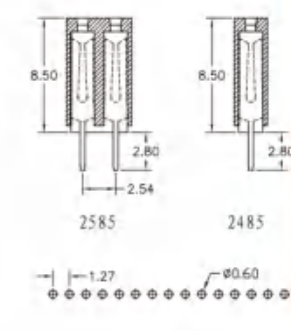
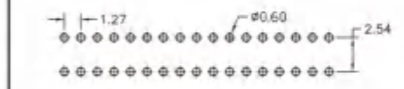
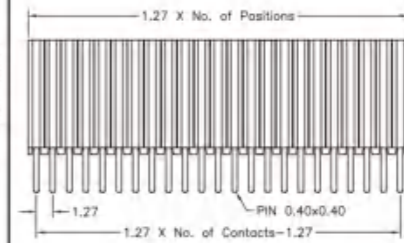
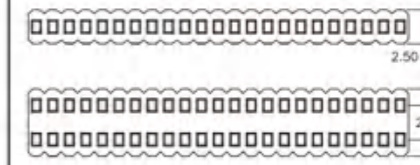
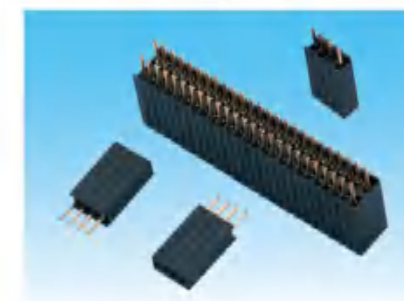
1.27mm Female Header, Dual Row, S. M. T



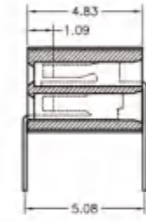
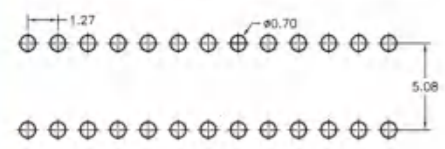
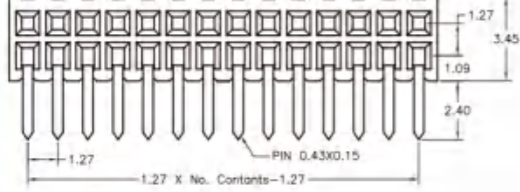
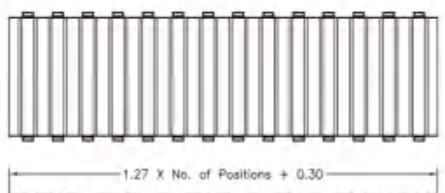
1.27*2.54mm Female Header, Single/Dual Row, Straight



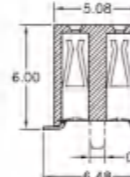
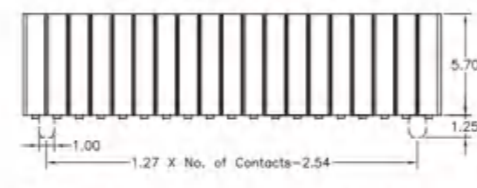
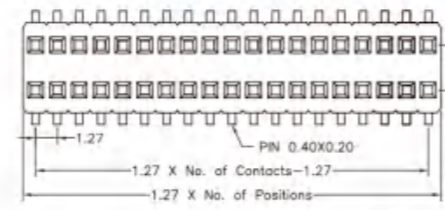
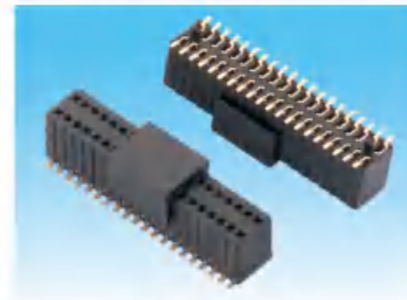
1.27*2.54mm Female Header, Single/Dual Row, Straight



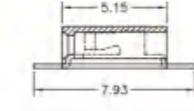
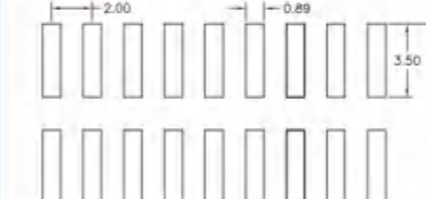
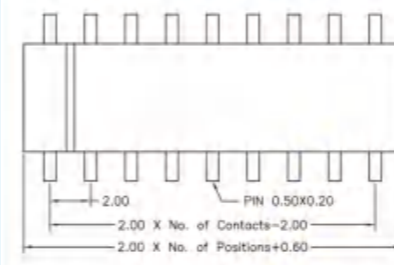
1.27mm Female Header, Dual Row, Side Entry, Right Angle



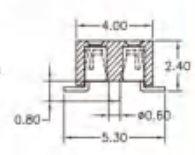
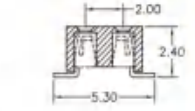
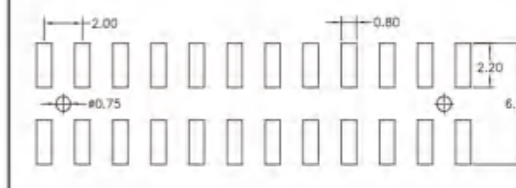
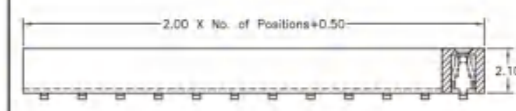
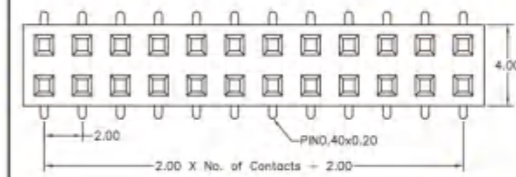
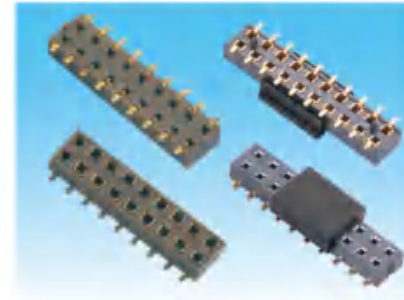
1.27*2.54mm Female Header, Dual Row, S. M. T



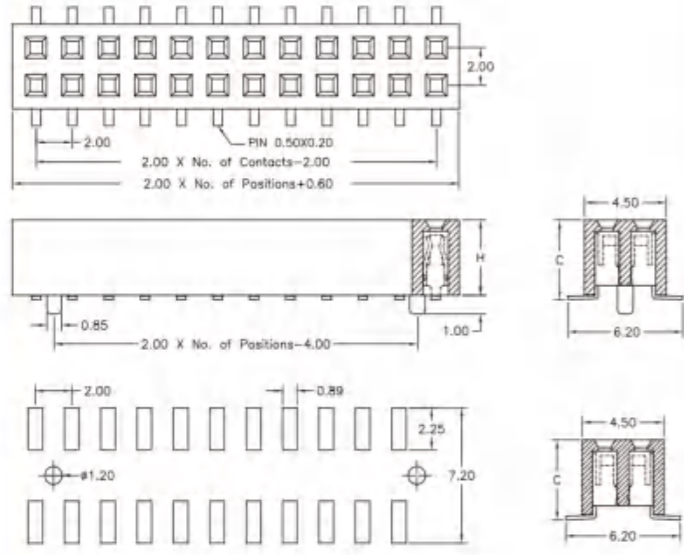
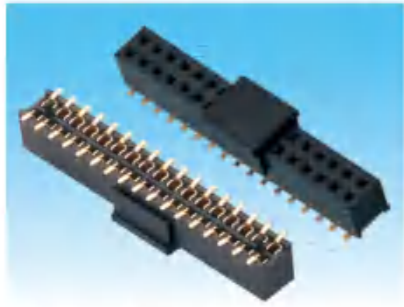
2.00mm Female Header, Single Row, Side Entry, S. M. T



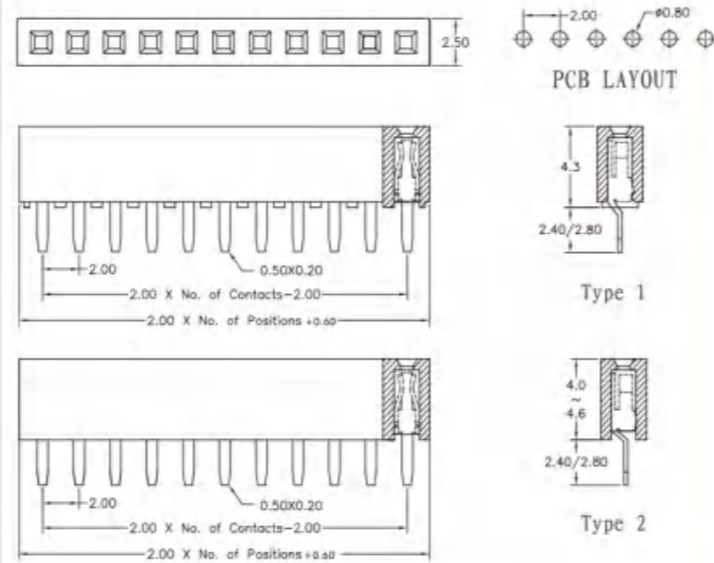
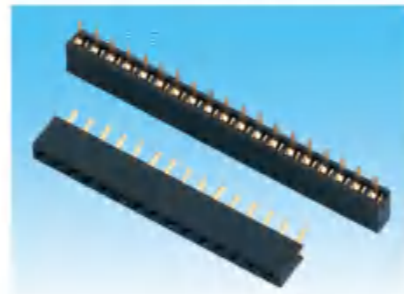
2.00mm Female Header, Dual Row, S. M. T



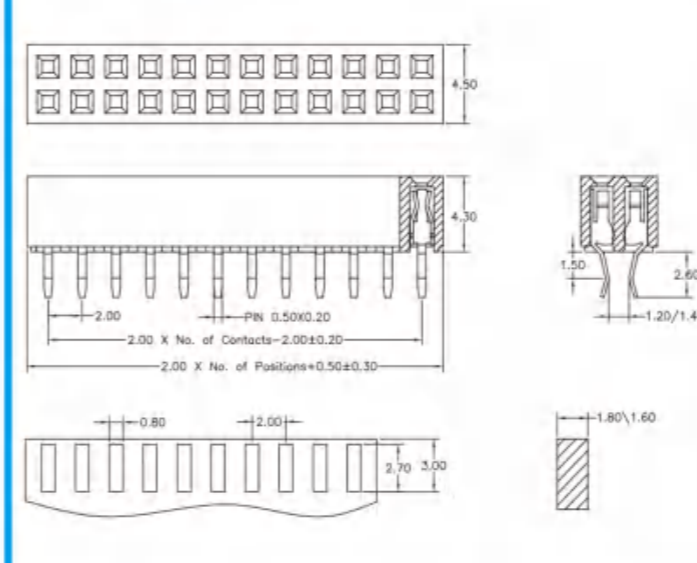
2.00mm Female Header, Dual Row, S. M. T



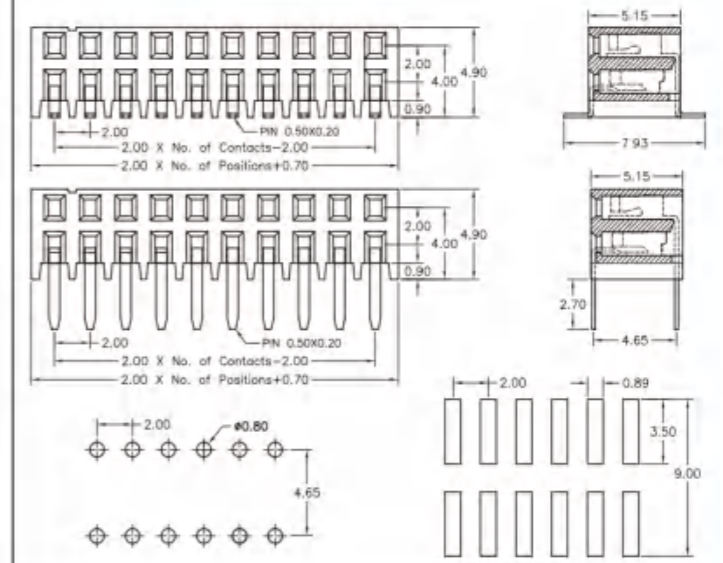
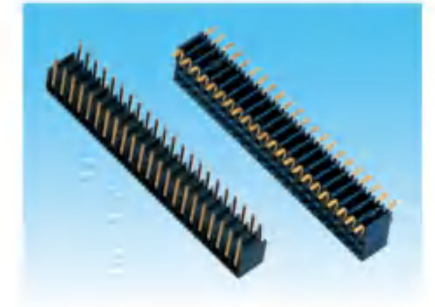
2.00mm Female Header, Single Row, Straight



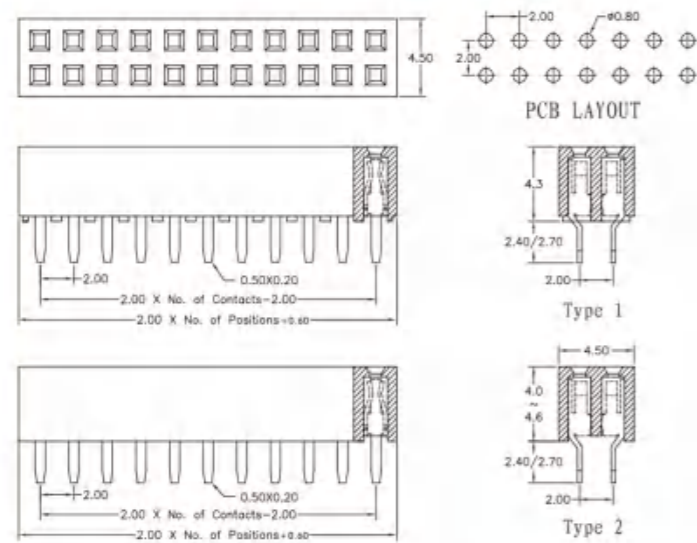
2.00mm Female Header, Dual Row, Straddle



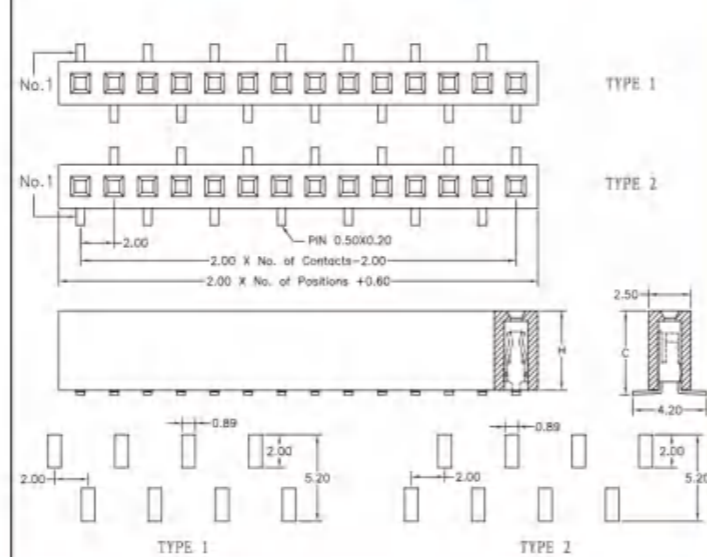
2.00mm Female Header, Dual Row, Side Entry



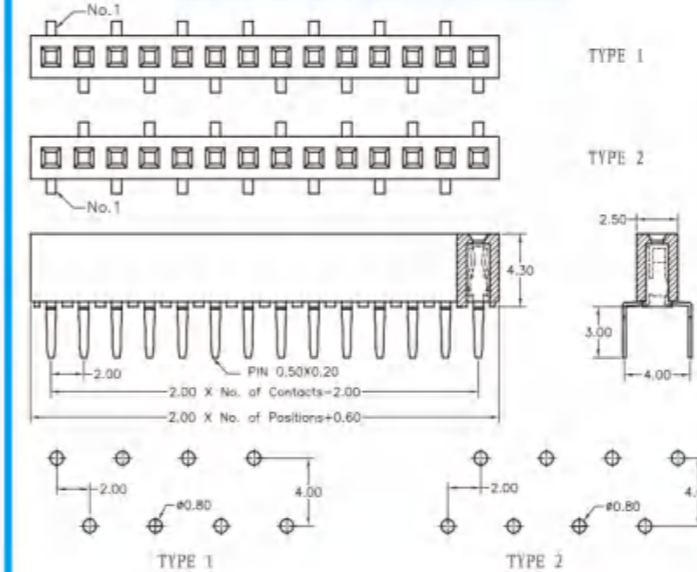
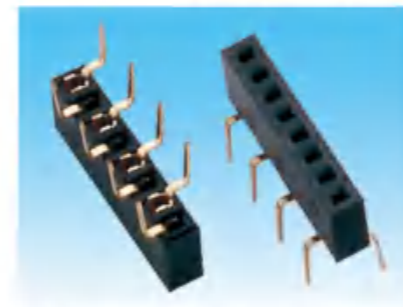
2.00mm Female Header, Dual Row, Straight



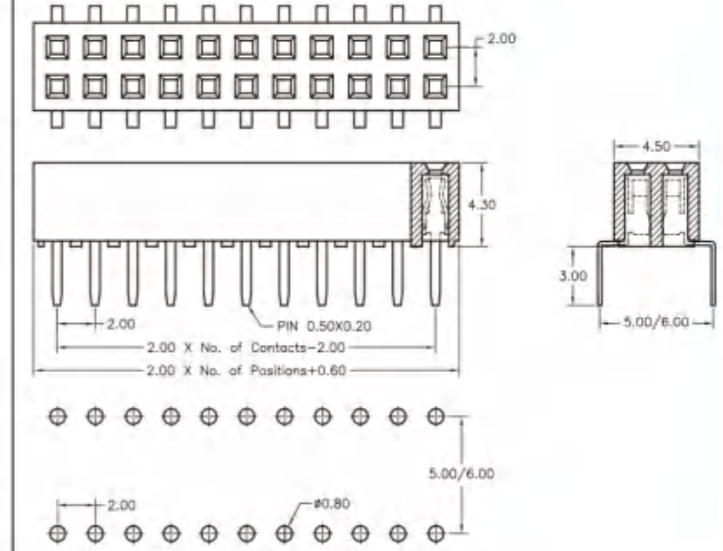
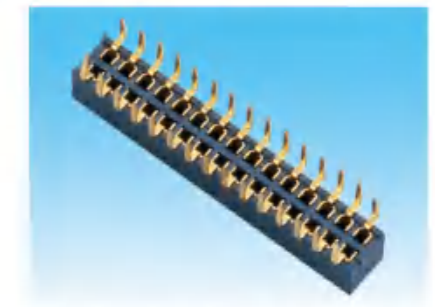
2.00mm Female Header, Single Row, S. M. T



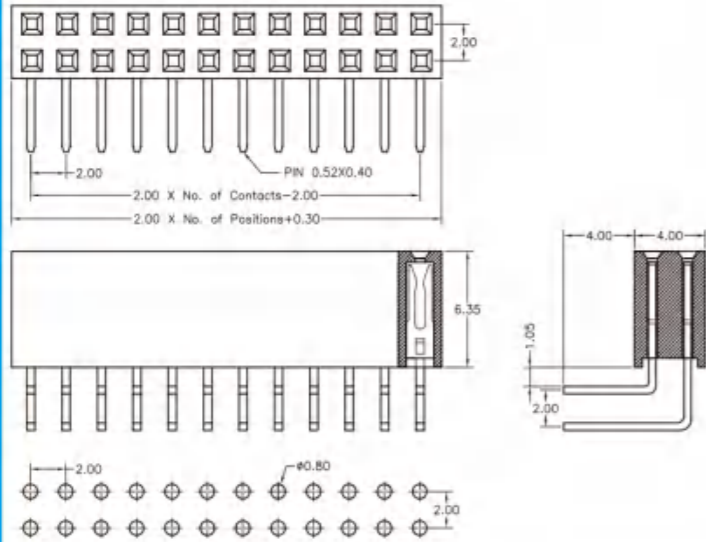
2.00mm Female Header, Single Row, Bottom Entry



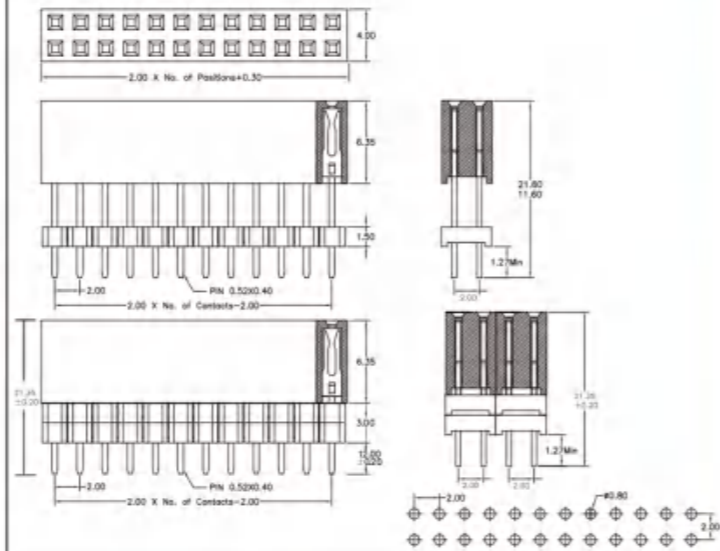
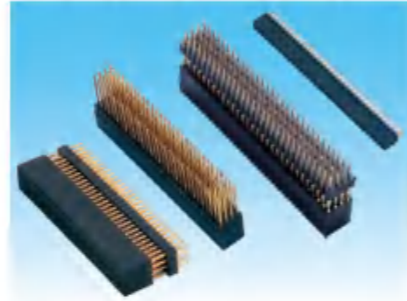
2.00mm Female Header, Dual Row, Bottom Entry



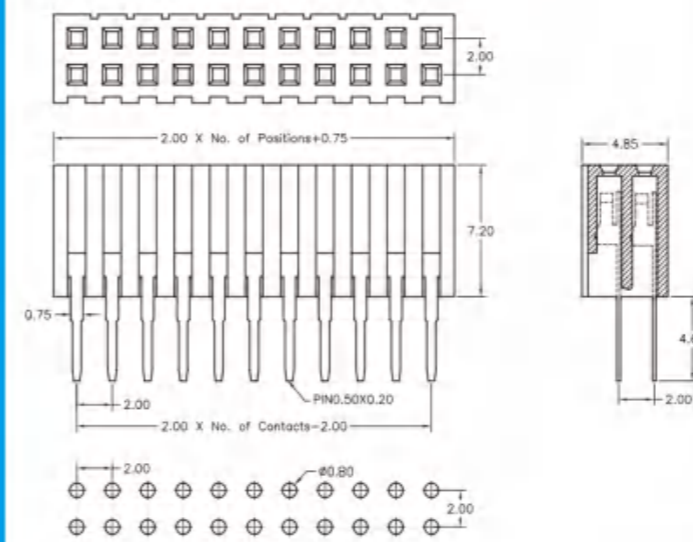
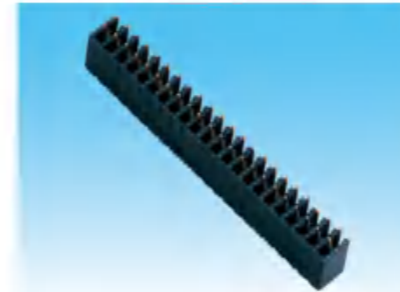
2.00mm Female Header, Dual Row, Right Angle



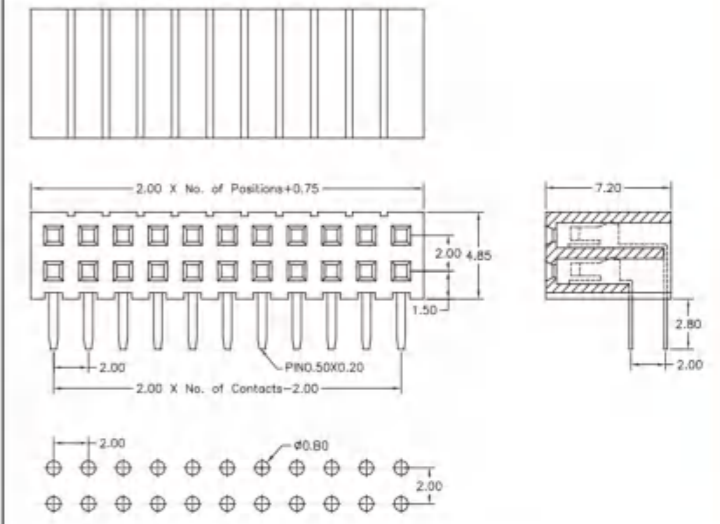
2.00mm Female Header, Dual Row, Straight (PC104)



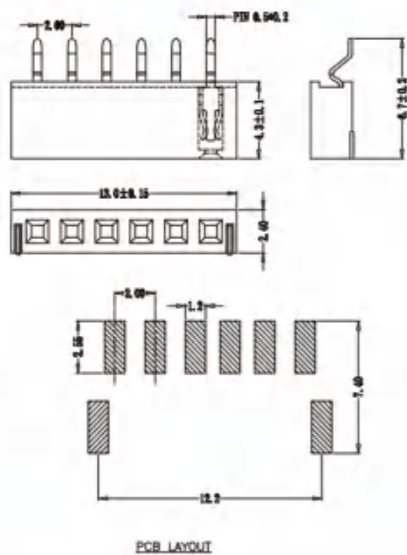
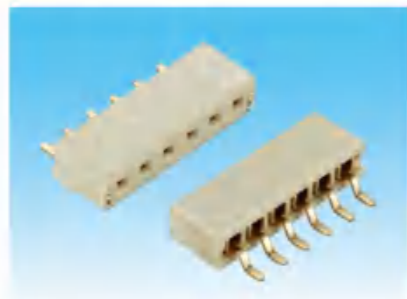
2.00mm Female Header, Dual Row, Straight



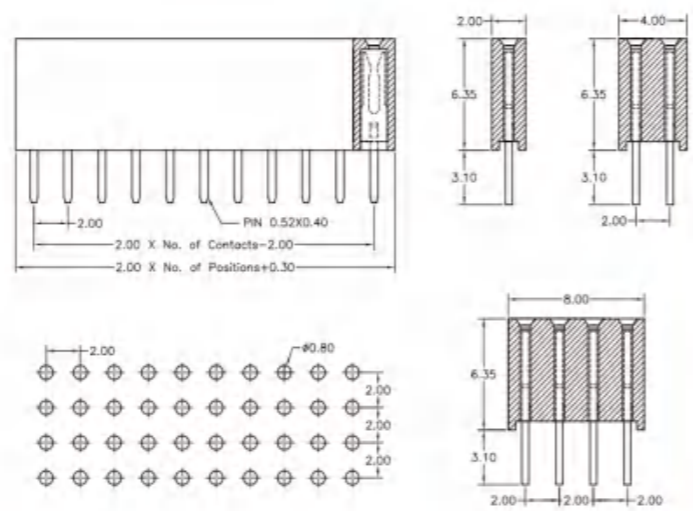
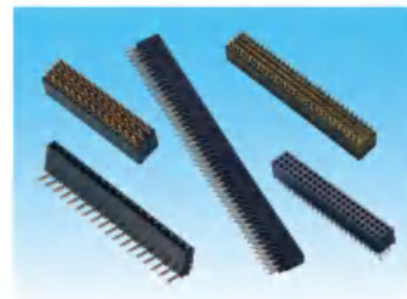
2.00mm Female Header, Dual Row, Right Angle



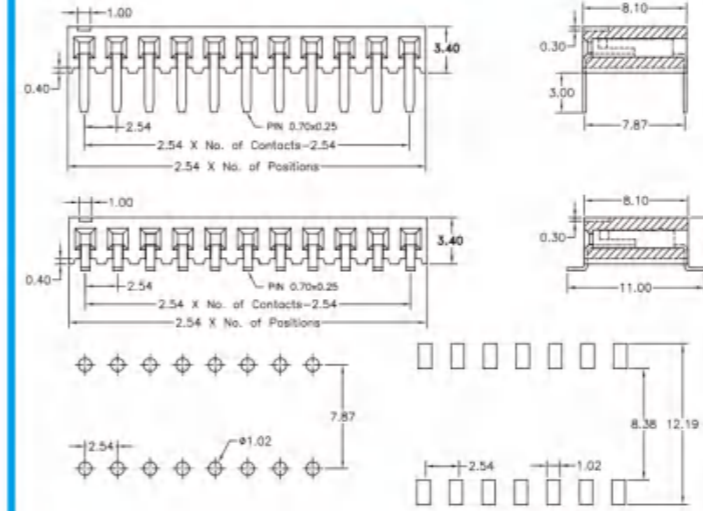
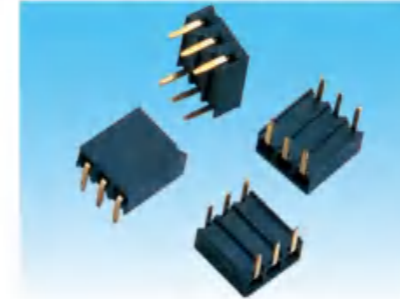
2.0mm Female Header



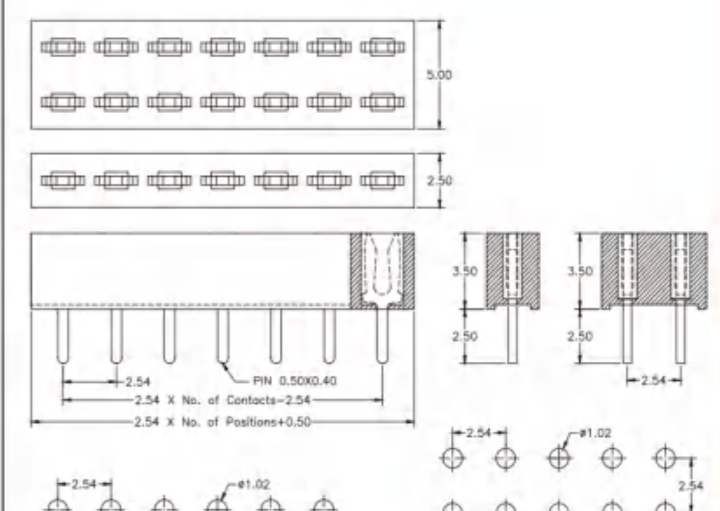
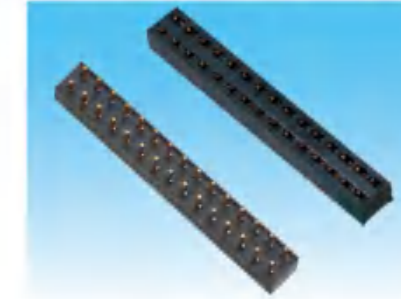
2.00mm Female Header, Single/Dual/Quad Row, Straight



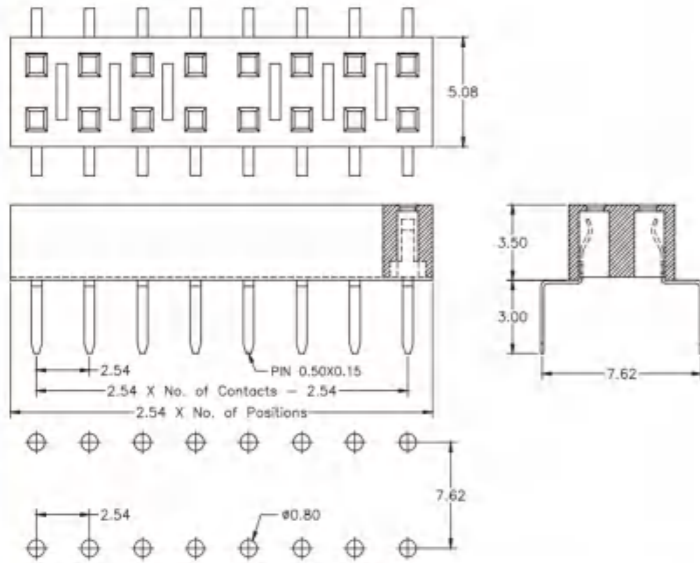
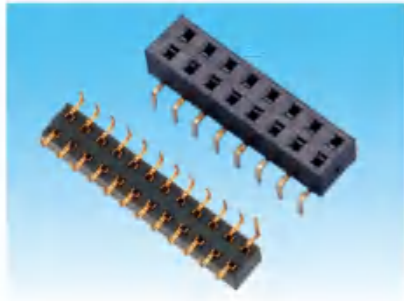
2.54mm Female Header, Single Row, Side Entry



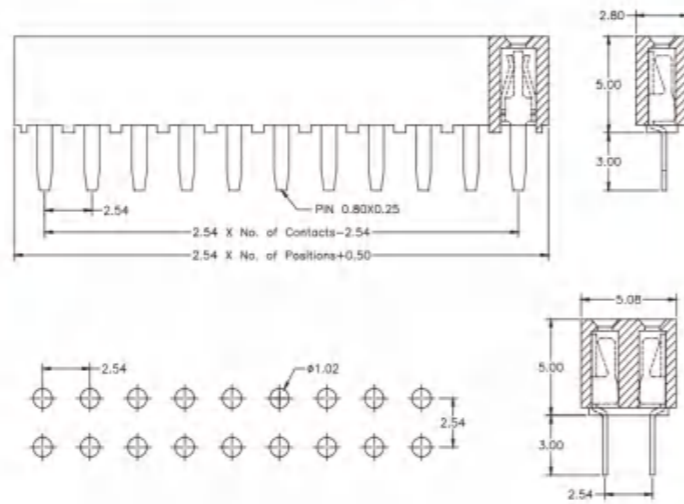
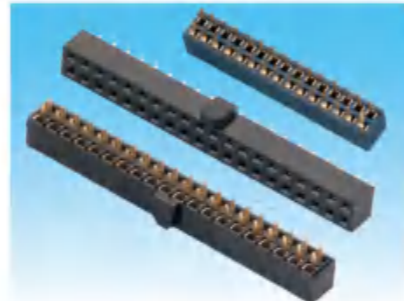
2.54mm Female Header, Single/Dual Row, Straight



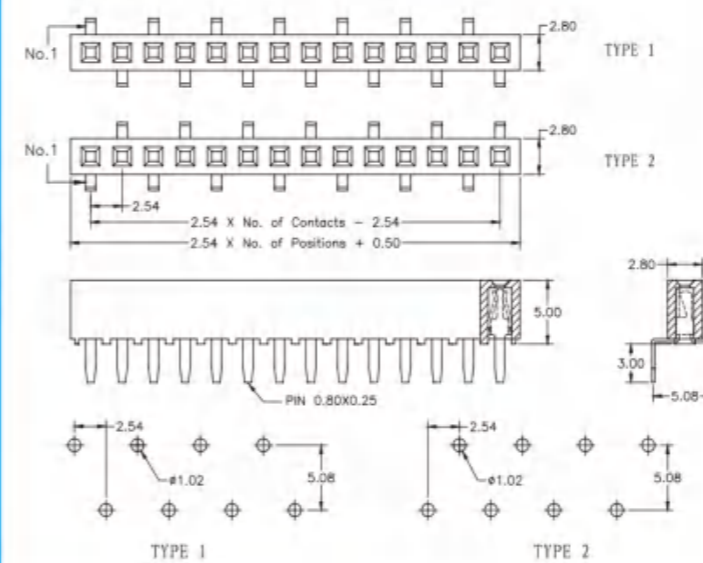
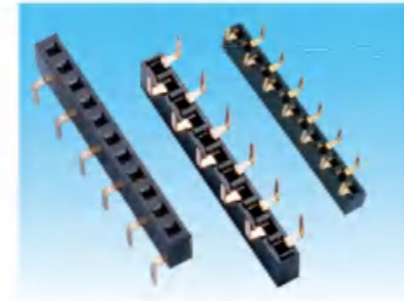
2.54mm Female Header, Dual Row, Bottom Entry



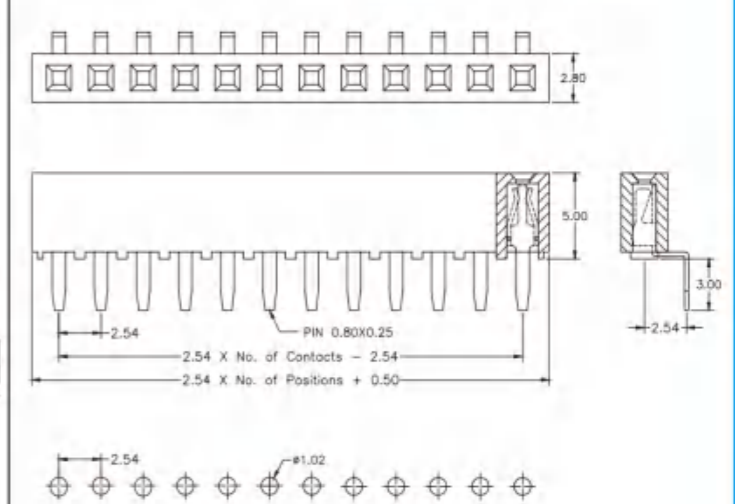
2.54mm Female Header, Single/Dual Row, Straight



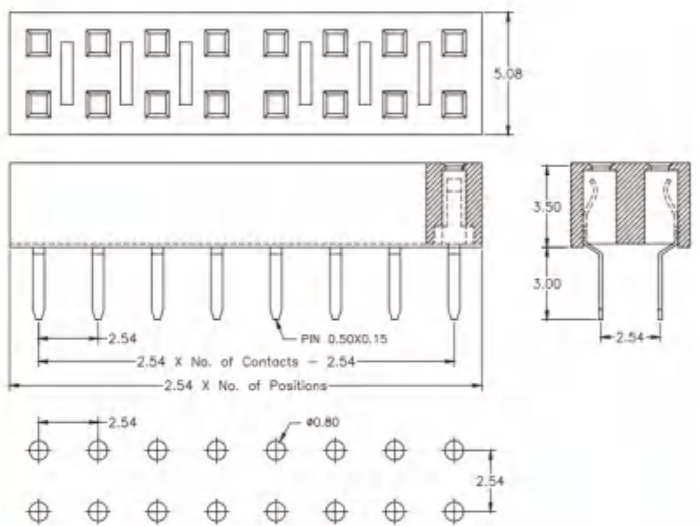
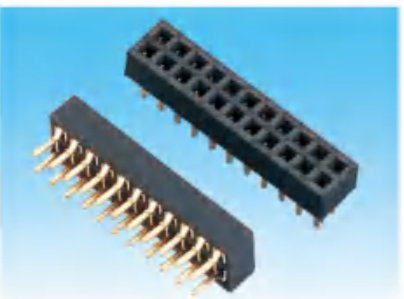
2.54mm Female Header, Single Row, Bottom Entry



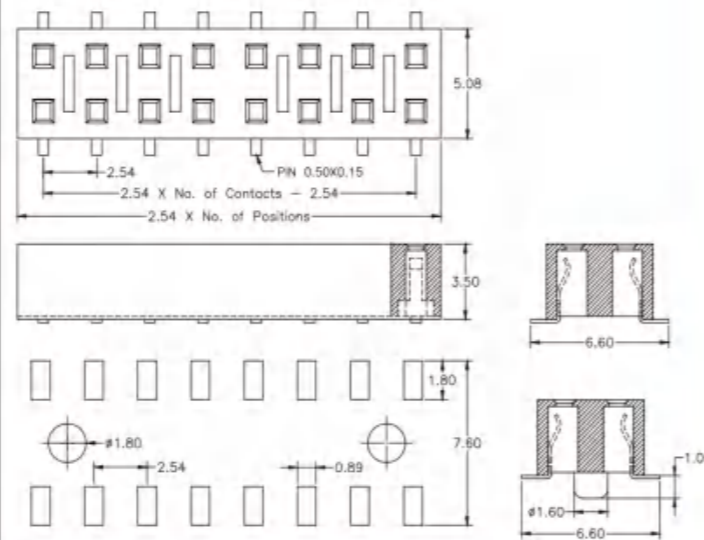
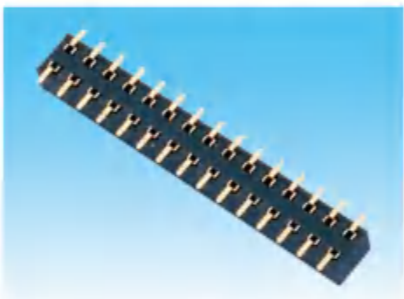
2.54mm Female Header, Single Row, Bottom Entry



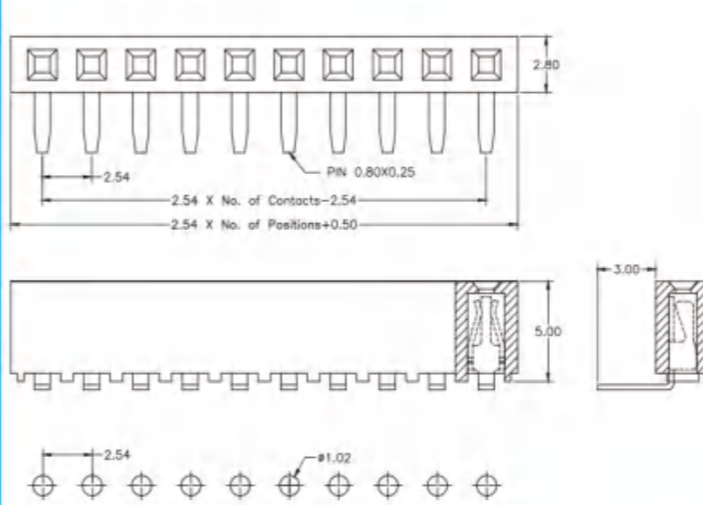
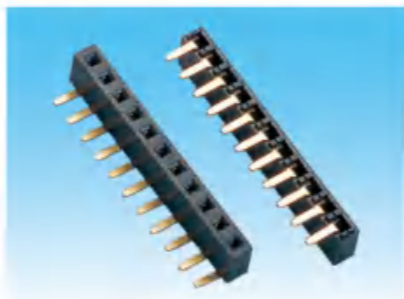
2.54mm Female Header, Dual Row, Straight



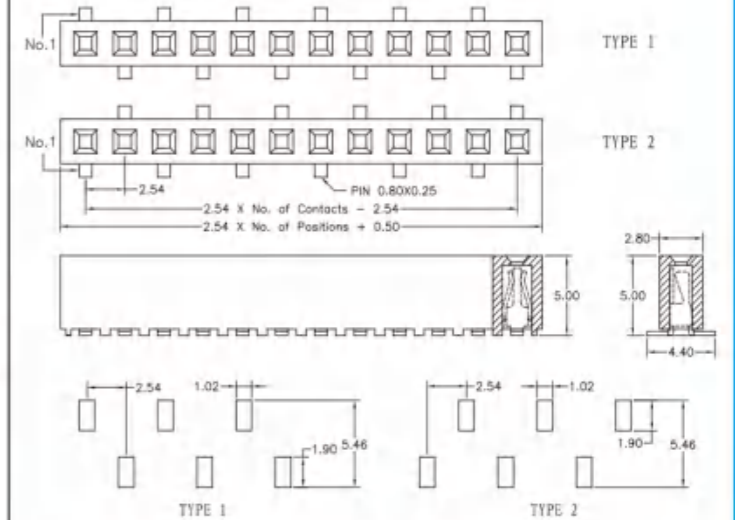
2.54mm Female Header, Dual Row, S. M. T



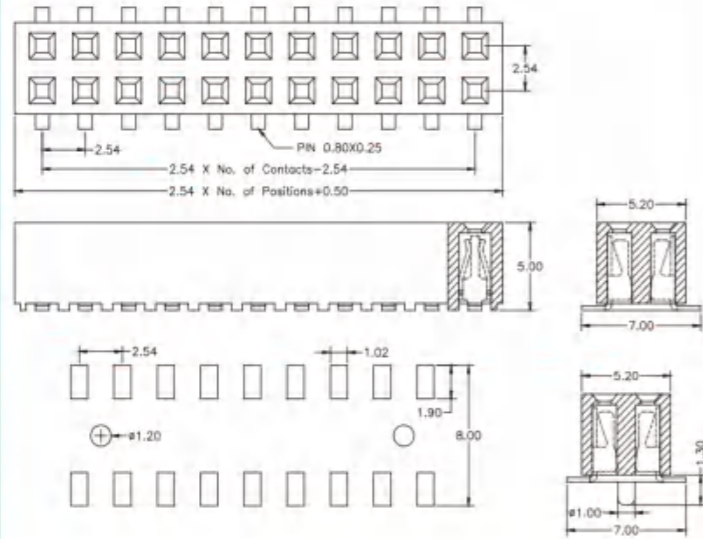
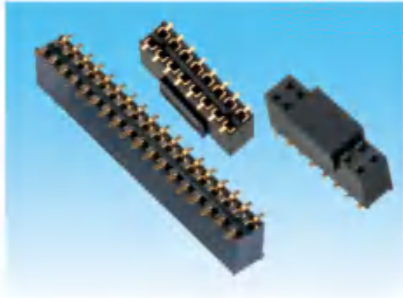
2.54mm Female Header, Single Row, Right Angle



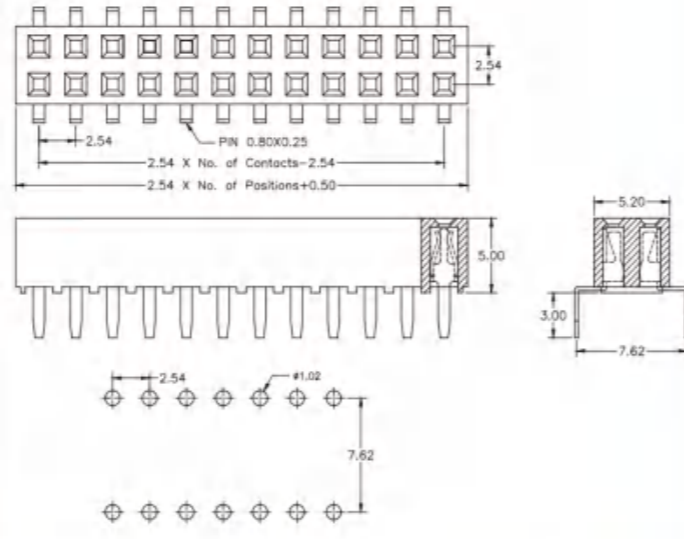
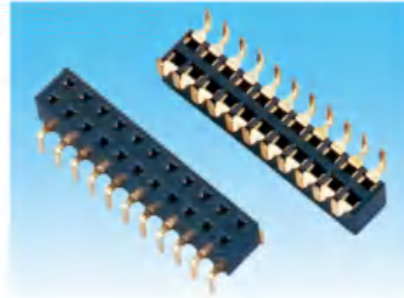
2.54mm Female Header, Single Row, S. M. T



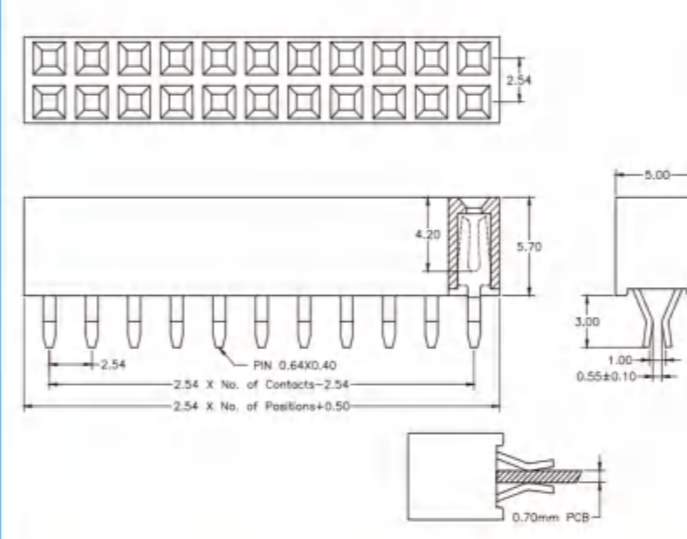
2.54mm Female Header, Dual Row, S. M. T



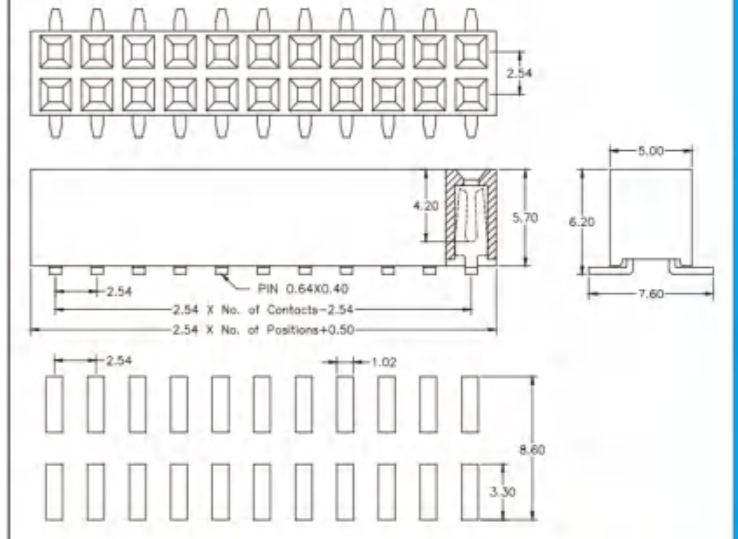
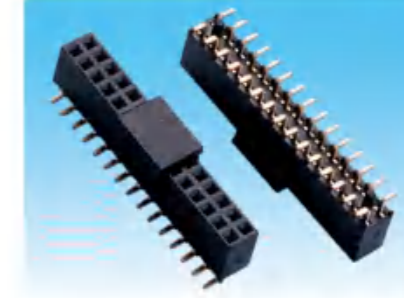
2.54mm Female Header, Dual Row, Bottom Entry



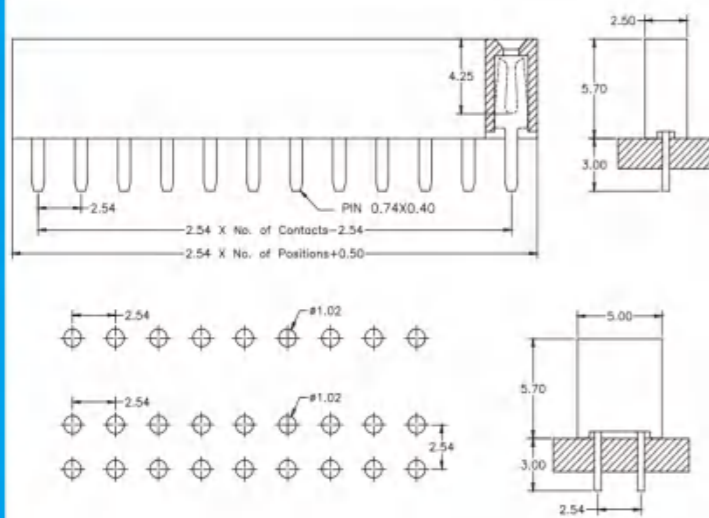
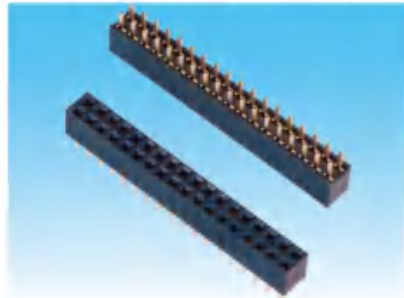
2.54mm Female Header, Dual Row, Straddle



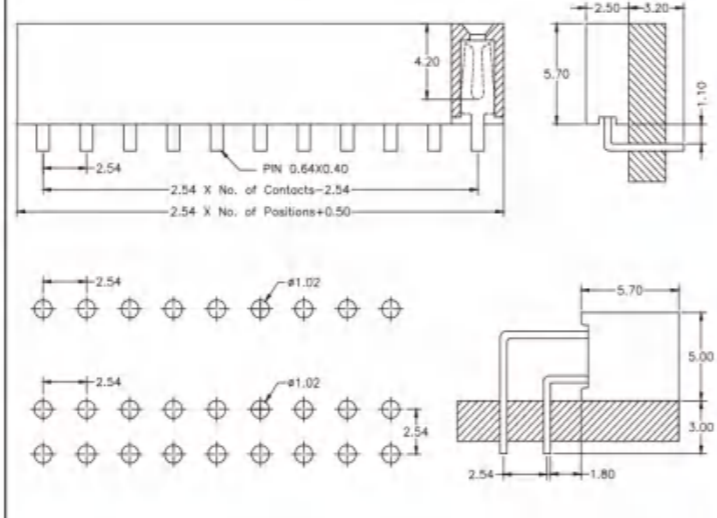
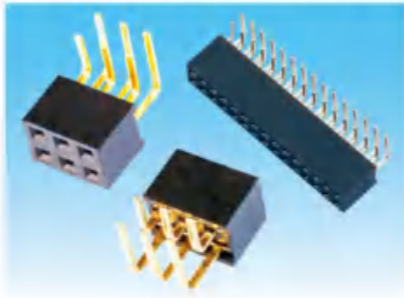
2.54mm Female Header, Dual Row, S. M. T



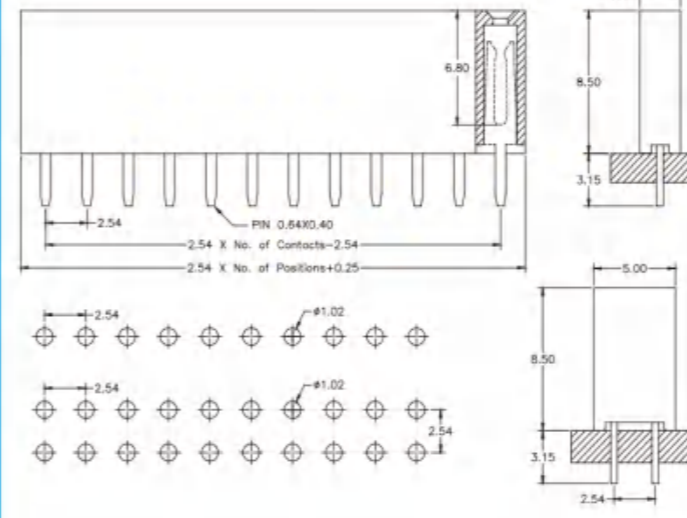
2.54mm Female Header, Single/Dual Row, Straight



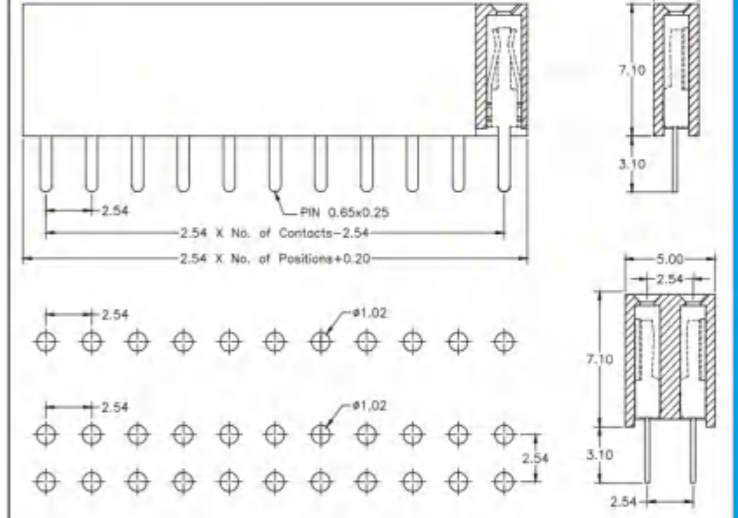
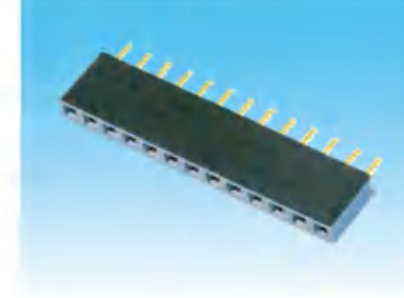
2.54mm Female Header, Single/Dual Row, Right Angle



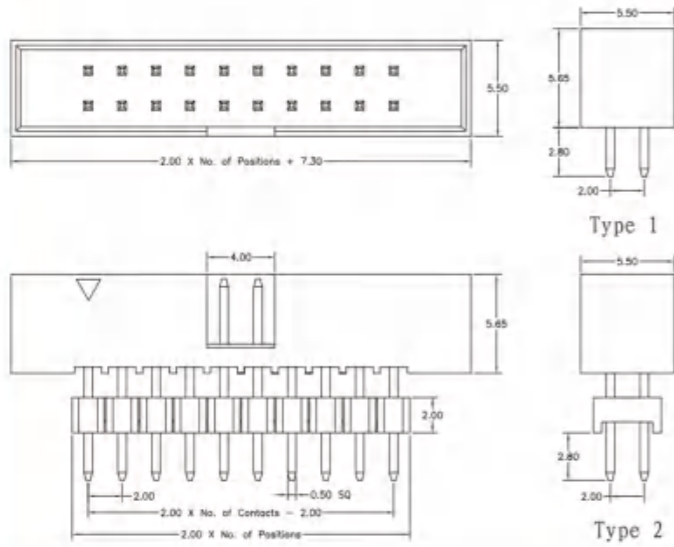
2.54mm Female Header, Single/Dual Row, Straight



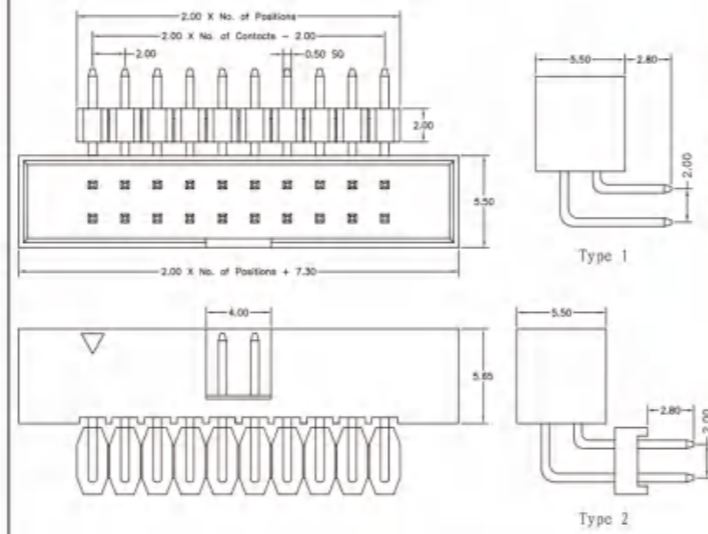
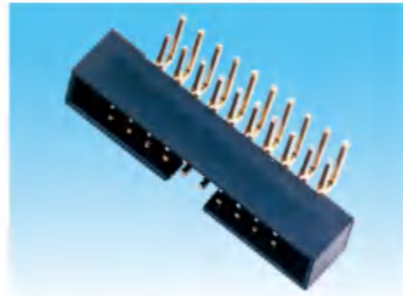
2.54mm Female Header, Single/Dual Row, Straight



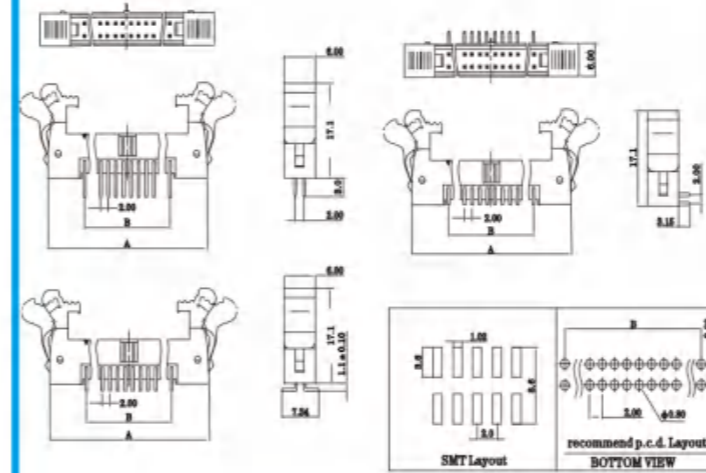
2.00mm BOX Header, Straight



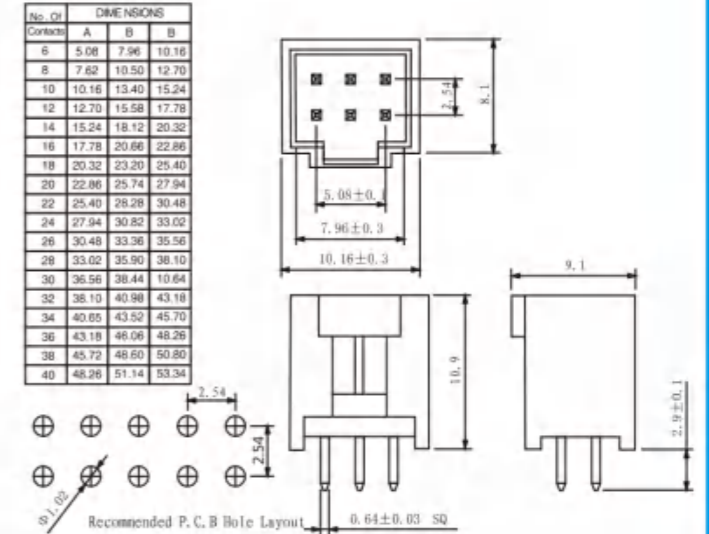
2.00mm BOX Header, Right Angle



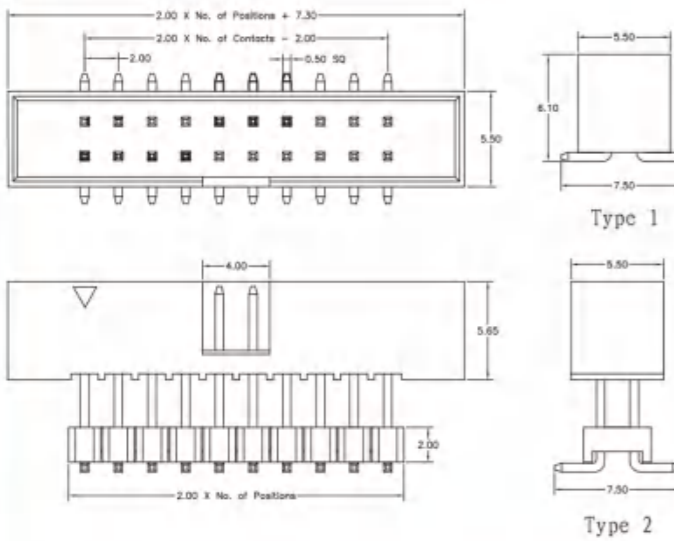
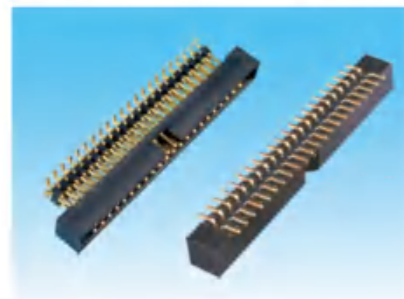
2.00mm Ejector Header, Straight/Right Angle/S.M.T



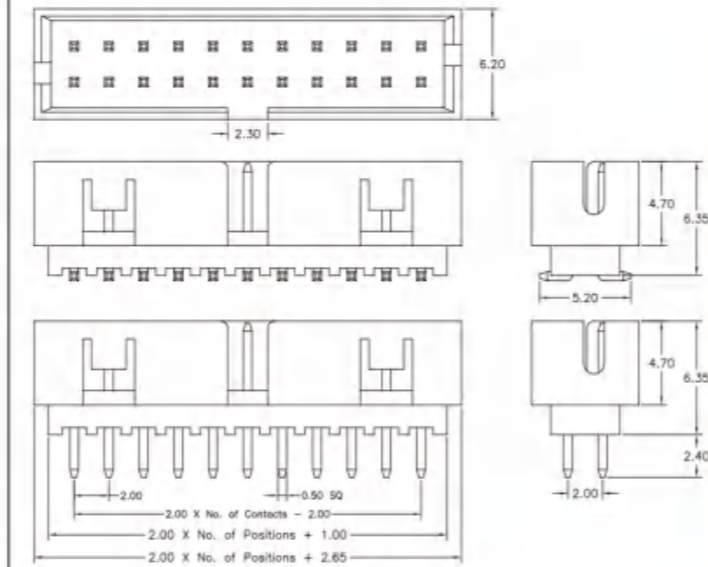
2.54mm BOX Header, Straight/S.M.T



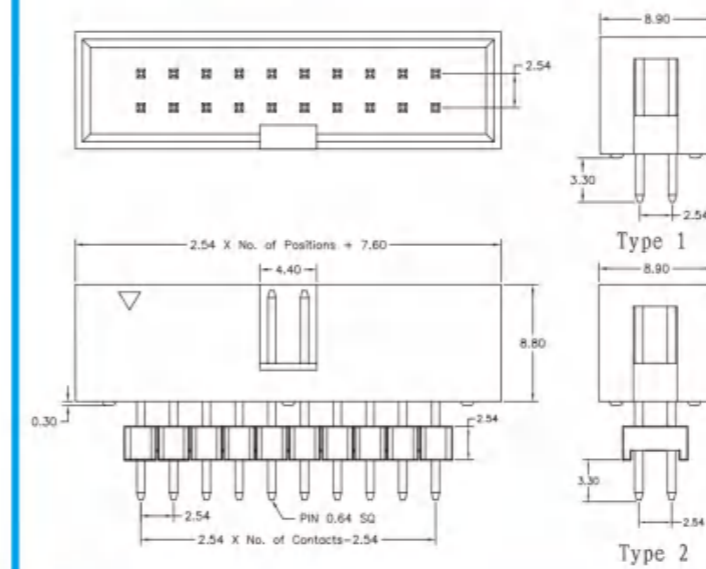
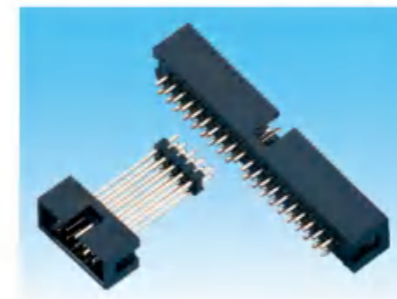
2.00mm BOX Header, S.M.T



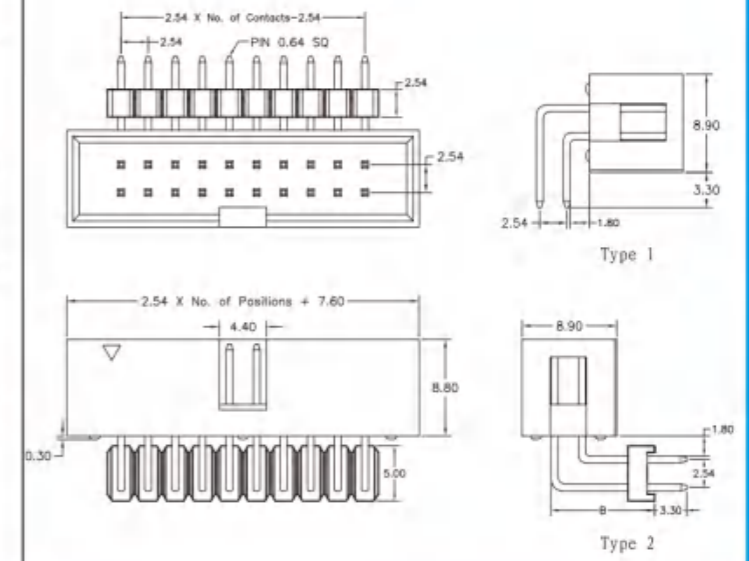
2.00mm BOX Header, Straight/S.M.T



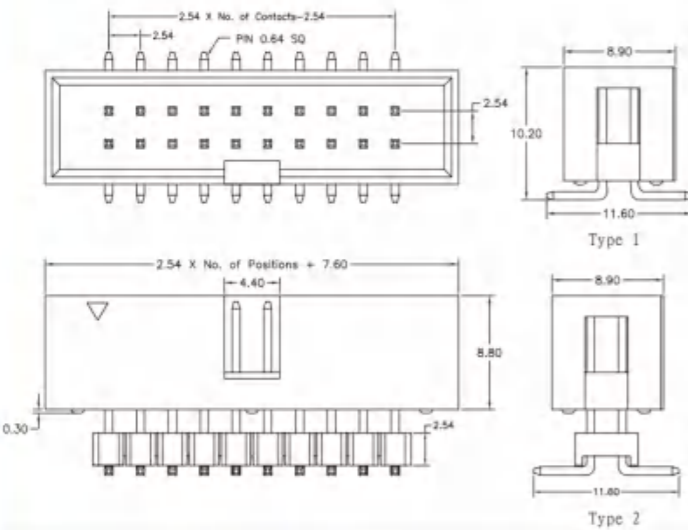
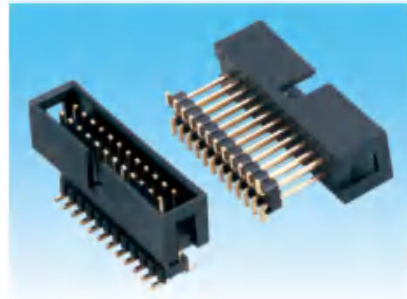
2.54mm BOX Header, Straight



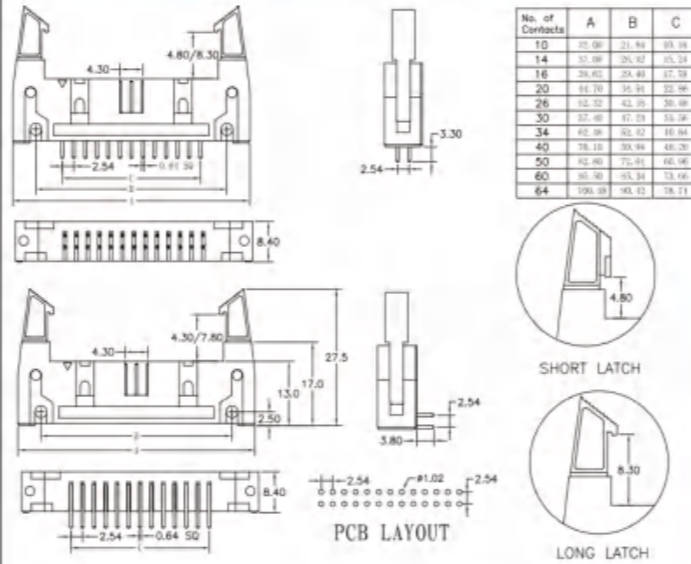
2.54mm BOX Header, Right Angle



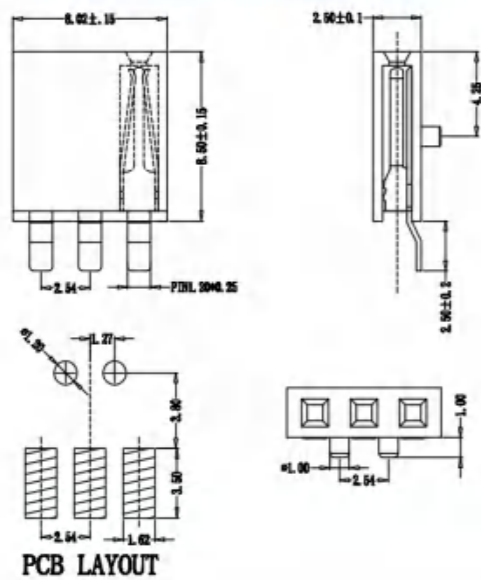
2.54mm BOX Header, S. M. T



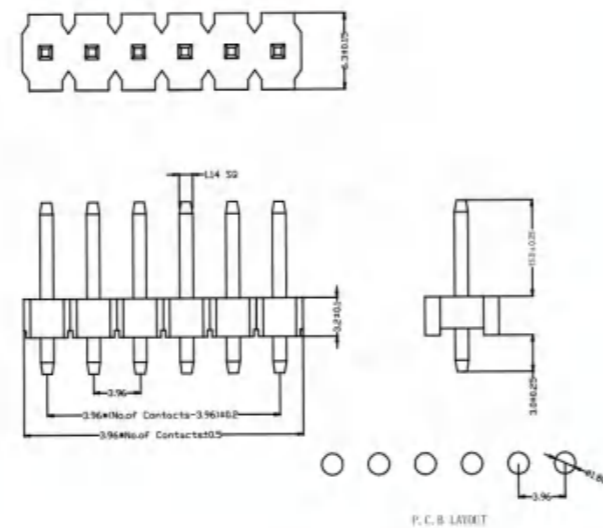
2.54mm Ejector Header, Straight/Right Angle



2.54mm Female Header



3.96mm Pin Header, Single Row, Straight Right Angle



连接器系列 CONNECTOR SERIES

A0801

Pitch: 0.8mm

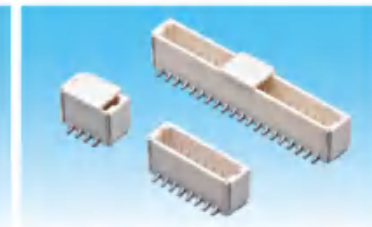
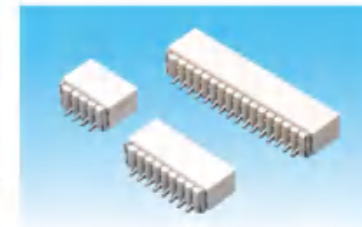
- 1、极数 Poles: 2 to 20P
- 2、额定电流 Current rating: 0.5A AC, DC
- 3、额定电压 Voltage rating: 50V AC, DC
- 4、温度范围 Temperature range: -25°C to $+85^{\circ}\text{C}$
- 5、接触电阻 Contact resistance: $\leq 20\text{m}\Omega$
- 6、绝缘电阻 Insulation resistance: $\geq 800\text{m}\Omega$
- 7、耐电压 Withstanding voltage: 500V AC/minute



A1001/A1002 (SH1.0/SH1.0带锁)

Pitch: 1.0mm

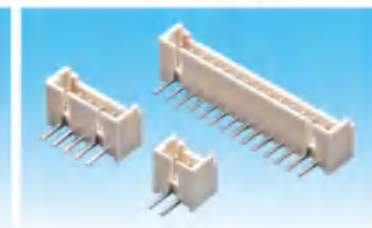
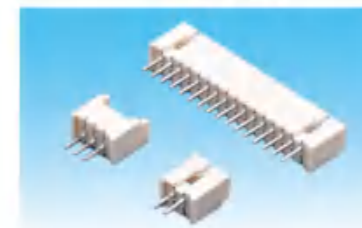
- 1、极数 Poles: 2 to 20P
- 2、额定电流 Current rating: 0.5A AC, DC
- 3、额定电压 Voltage rating: 50V AC, DC
- 4、温度范围 Temperature range: -25°C to $+85^{\circ}\text{C}$
- 5、接触电阻 Contact resistance: $\leq 20\text{m}\Omega$
- 6、绝缘电阻 Insulation resistance: $\geq 100\text{m}\Omega$
- 7、耐电压 Withstanding voltage: 500V AC/minute



A1251 (1.25)

Pitch: 1.25mm

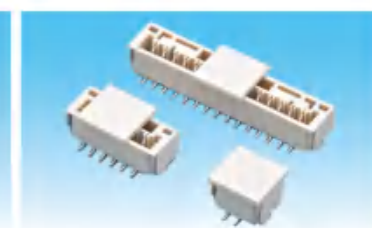
- 1、极数 Poles: 2 to 16P
- 2、额定电流 Current rating: 1.0A AC, DC
- 3、额定电压 Voltage rating: 125V AC, DC
- 4、温度范围 Temperature range: -25°C to $+85^{\circ}\text{C}$
- 5、接触电阻 Contact resistance: $\leq 20\text{m}\Omega$
- 6、绝缘电阻 Insulation resistance: $\geq 100\text{m}\Omega$
- 7、耐电压 Withstanding voltage: 500V AC/minute



A1253 (GH1.25)

Pitch: 1.25mm

- 1、极数 Poles: 2 to 15P
- 2、额定电流 Current rating: 1.0A AC, DC
- 3、额定电压 Voltage rating: 50V AC, DC
- 4、温度范围 Temperature range: -25°C to $+85^{\circ}\text{C}$
- 5、接触电阻 Contact resistance: $\leq 20\text{m}\Omega$
- 6、绝缘电阻 Insulation resistance: $\geq 100\text{m}\Omega$
- 7、耐电压 Withstanding voltage: 500V AC/minute

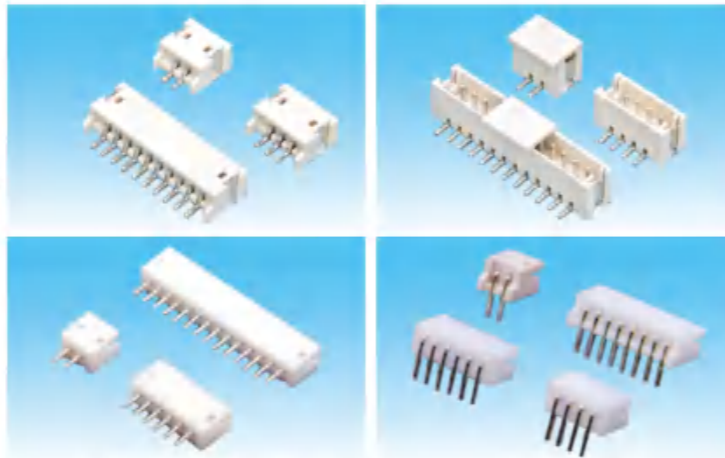


连接器系列 CONNECTOR SERIES

A1501(ZH1.5)

- 1、极数 Poles:2 to 16P
- 2、额定电流 Current rating:1.0A AC,DC
- 3、额定电压 Voltage rating:125V AC,DC
- 4、温度范围 Temperature range:-25°C to+85°C
- 5、接触电阻 Contact resistance: $\leq 20m\Omega$
- 6、绝缘电阻 Insulation resistance: $\geq 5000m\Omega$
- 7、耐电压 Withstanding voltage:500V AC/minute

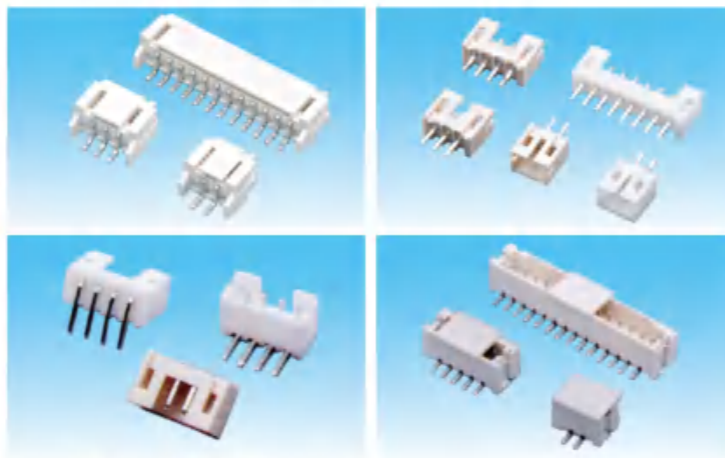
Pitch:1.5mm



A2001(PH2.0)

- 1、极数 Poles:2 to 16P
- 2、额定电流 Current rating:2.0A AC,DC
- 3、额定电压 Voltage rating:250V AC,DC
- 4、温度范围 Temperature range:-25°C to+85°C
- 5、接触电阻 Contact resistance: $\leq 20m\Omega$
- 6、绝缘电阻 Insulation resistance: $\geq 1000m\Omega$
- 7、耐电压 Withstanding voltage:1000V AC/minute

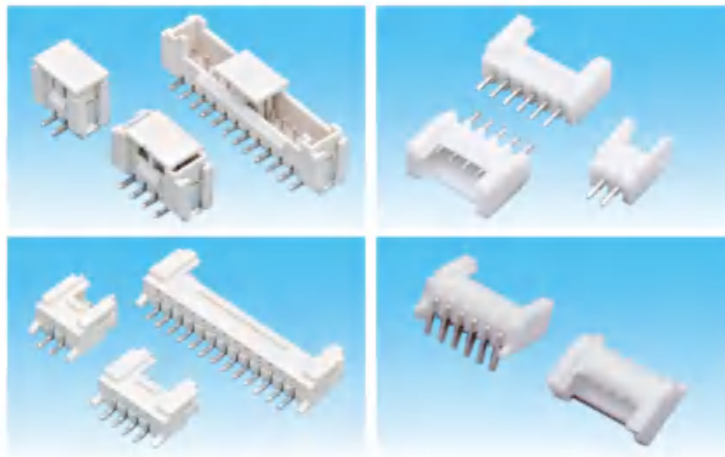
Pitch:2.0mm



A2002(HY2.0)

- 1、极数 Poles:2 to 16P
- 2、额定电流 Current rating:2.0A AC,DC
- 3、额定电压 Voltage rating:250V AC,DC
- 4、温度范围 Temperature range:-25°C to+85°C
- 5、接触电阻 Contact resistance: $\leq 20m\Omega$
- 6、绝缘电阻 Insulation resistance: $\geq 1000m\Omega$
- 7、耐电压 Withstanding voltage:1000V AC/minute

Pitch:2.0mm



A2008(PA)

- 1、极数 Poles:2 to 20P
- 2、额定电流 Current rating:3A AC,DC
- 3、额定电压 Voltage rating:300V AC,DC
- 4、温度范围 Temperature range:-25°C to+85°C
- 5、接触电阻 Contact resistance: $\leq 20m\Omega$
- 6、绝缘电阻 Insulation resistance: $\geq 1000m\Omega$
- 7、耐电压 Withstanding voltage:800V AC/minute

Pitch:2.0mm

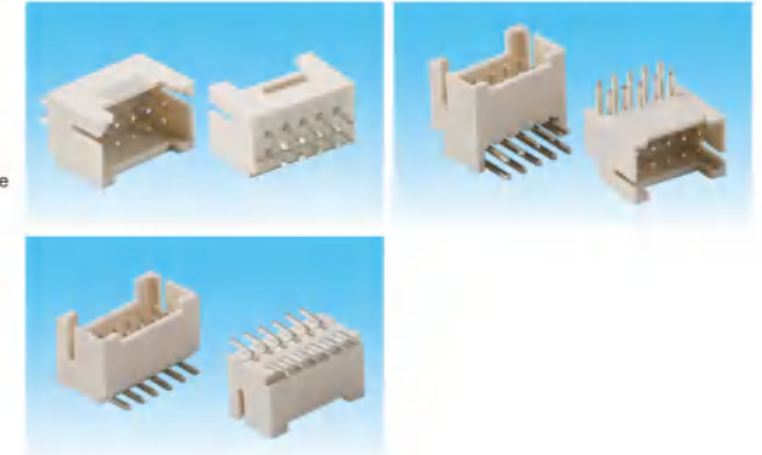


连接器系列 CONNECTOR SERIES

A2009(PHB2.0)

- 1、极数 Poles:2 to 10P
- 2、额定电流 Current rating:3.0A AC,DC
- 3、额定电压 Voltage rating:250V AC,DC
- 4、温度范围 Temperature range:-25°C to+85°C
- 5、接触电阻 Contact resistance: $\leq 20m\Omega$
- 6、绝缘电阻 Insulation resistance: $\geq 1000m\Omega$
- 7、耐电压 Withstanding voltage:800V AC/minute

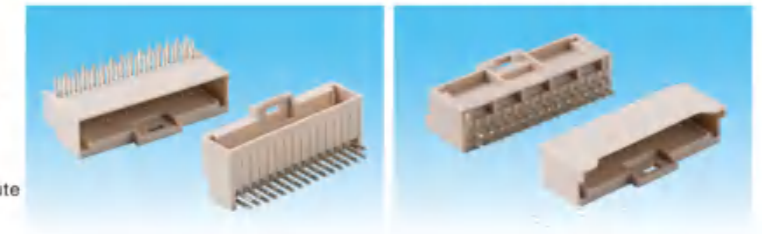
Pitch:2.0mm



A2010(PHB2.0)

- 1、极数 Poles:2 to 30P
- 2、额定电流 Current rating:2.0A AC,DC
- 3、额定电压 Voltage rating:250V AC,DC
- 4、温度范围 Temperature range:-25°C to+85°C
- 5、接触电阻 Contact resistance: $\leq 20m\Omega$
- 6、绝缘电阻 Insulation resistance: $\geq 1000m\Omega$
- 7、耐电压 Withstanding voltage:1000V AC/minute

Pitch:2.0mm



A2005(PHD)/A2006(PHB)

- 1、极数 Poles:4 to 40P
- 2、额定电流 Current rating:3.0A AC,DC
- 3、额定电压 Voltage rating:250V AC,DC
- 4、温度范围 Temperature range:-25°C to+85°C
- 5、接触电阻 Contact resistance: $\leq 20m\Omega$
- 6、绝缘电阻 Insulation resistance: $\geq 1000m\Omega$
- 7、耐电压 Withstanding voltage:800V AC/minute

Pitch:2.0mm



A2007/C2001(51005)

- 1、极数 Poles:2 to 8P
- 2、额定电流 Current rating:2.0A AC,DC
- 3、额定电压 Voltage rating:125V AC,DC
- 4、温度范围 Temperature range:-25°C to+85°C
- 5、接触电阻 Contact resistance: $\leq 20m\Omega$
- 6、绝缘电阻 Insulation resistance: $\geq 1000m\Omega$
- 7、耐电压 Withstanding voltage:500V AC/minute

Pitch:2.0mm



连接器系列 CONNECTOR SERIES

A2501(XH2.5)

Pitch:2.5mm

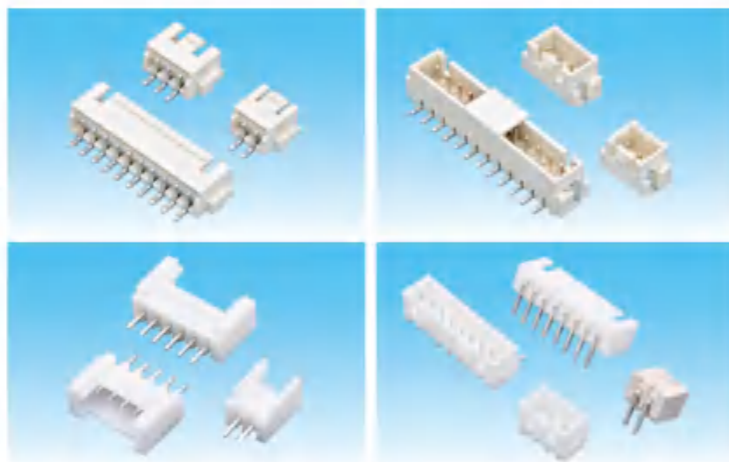
- 1、极数 Poles:2 to 8P
- 2、额定电流 Current rating:2.0A AC,DC
- 3、额定电压 Voltage rating:125V AC,DC
- 4、温度范围 Temperature range:-25°C to+85°C
- 5、接触电阻 Contact resistance: $\leq 20m\Omega$
- 6、绝缘电阻 Insulation resistance: $\geq 1000m\Omega$
- 7、耐电压 Withstanding voltage:500V AC/minute



A2502(XHB2.5)

Pitch:2.5mm

- 1、极数 Poles:2 to 16P
- 2、额定电流 Current rating:3.0A AC,DC
- 3、额定电压 Voltage rating:250V AC,DC
- 4、温度范围 Temperature range:-25°C to+85°C
- 5、接触电阻 Contact resistance: $\leq 20m\Omega$
- 6、绝缘电阻 Insulation resistance: $\geq 1000m\Omega$
- 7、耐电压 Withstanding voltage:1000V AC/minute
- 8、适用线规 Applicable wire:AWG 28# to 22#



A3001

Pitch:3.0mm

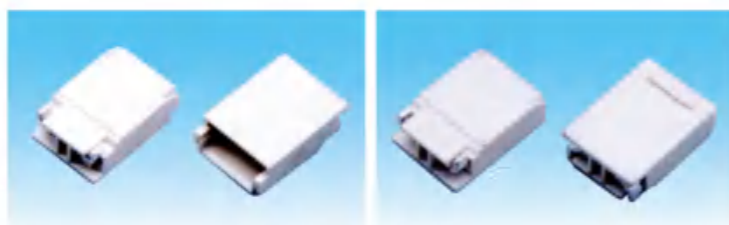
- 1、极数 Poles:2 to 24P
- 2、额定电流 Current rating:5.0A AC,DC
- 3、额定电压 Voltage rating:250V AC,DC
- 4、温度范围 Temperature range:-25°C to+85°C
- 5、接触电阻 Contact resistance: $\leq 20m\Omega$
- 6、绝缘电阻 Insulation resistance: $\geq 1000m\Omega$
- 7、耐电压 Withstanding voltage:1500V AC/minute



A3501&3502(BH3.5&BH3.5带锁)

Pitch:3.5mm

- 1、极数 Poles:2P
- 2、额定电流 Current rating:1.0A AC,DC
- 3、额定电压 Voltage rating:1400V AC,DC
- 4、温度范围 Temperature range:-25°C to+85°C
- 5、接触电阻 Contact resistance: $\leq 20m\Omega$
- 6、绝缘电阻 Insulation resistance: $\geq 1000m\Omega$
- 7、耐电压 Withstanding voltage:3800V AC/minute

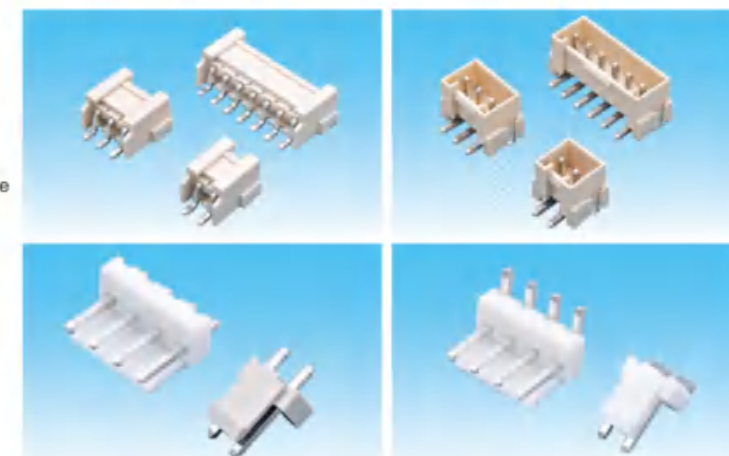


连接器系列 CONNECTOR SERIES

A3962(VH3.96)

Pitch:3.96mm

- 1、极数 Poles:2 to 16P
- 2、额定电流 Current rating:7.0A AC,DC
- 3、额定电压 Voltage rating:250V AC,DC
- 4、温度范围 Temperature range:-25°C to+85°C
- 5、接触电阻 Contact resistance: $\leq 20m\Omega$
- 6、绝缘电阻 Insulation resistance: $\geq 1000m\Omega$
- 7、耐电压 Withstanding voltage:1500V AC/minute



A4001(BH4.0)

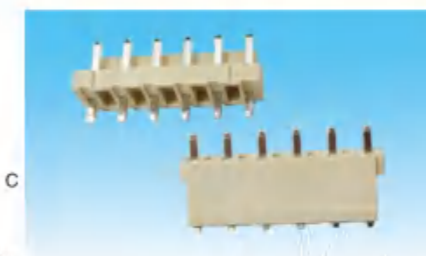
Pitch:4.0mm

- 1、极数 Poles:2P
- 2、额定电流 Current rating:1.0A AC,DC
- 3、额定电压 Voltage rating:600V AC,DC
- 4、温度范围 Temperature range:-25°C to+85°C
- 5、接触电阻 Contact resistance: $\leq 20m\Omega$
- 6、绝缘电阻 Insulation resistance: $\geq 1000m\Omega$
- 7、耐电压 Withstanding voltage:1800V AC/minute



A5080(5.08)

- 1、极数 Poles:6
- 2、额定电流 Current rating:7A AC,DC
- 3、额定电压 Voltage rating:500V AC,DC
- 4、温度范围 Temperature range:-25°C to+85°C
- 5、接触电阻 Contact resistance: $\leq 20m\Omega$
- 6、绝缘电阻 Insulation resistance: $\geq 1000m\Omega$
- 7、耐电压 Withstanding voltage:1000V AC/minute



快插系列



L6001-** Pitch:6.0mm



L001-** Pitch:4.0mm



L024A



L021-** Pitch:3.0mm

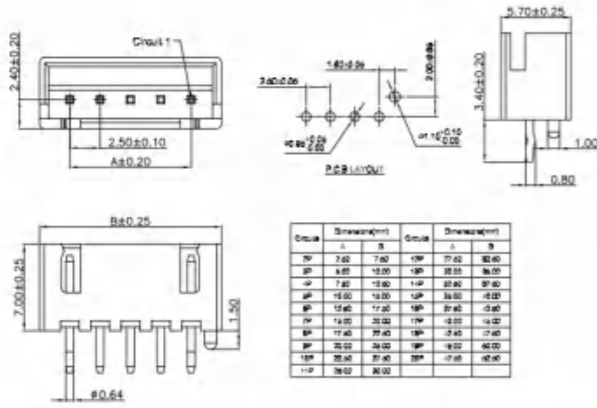


L4003-** Pitch:4.0mm

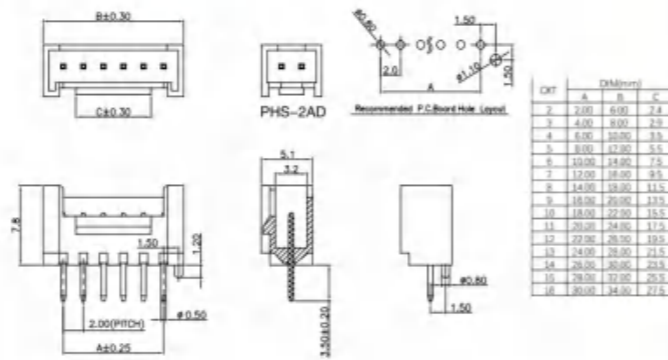


L3001-** Pitch:3.0mm

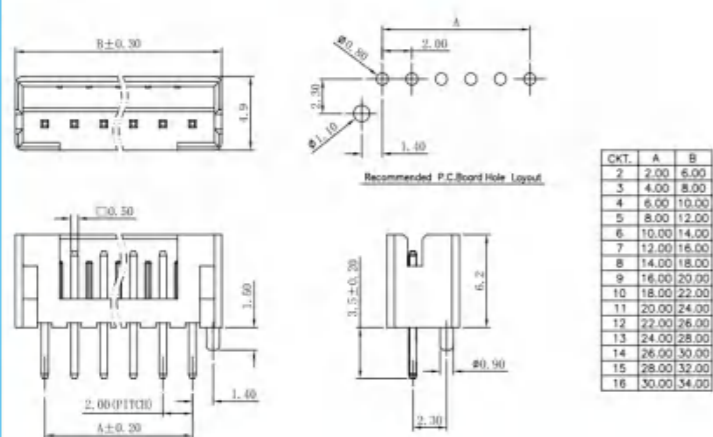
XH-NAD (XH-NAD)



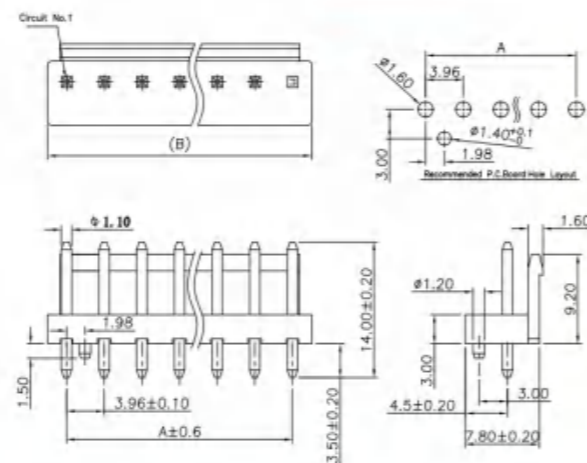
PHS-NAD



PH-NAD



VH-NAD (VH-NAD)



POGO PIN

1. Choose the style

Flat Type 平底式



穩定性好，針管底部為平底設計，易於與PCB板焊接
Stable quality. The bottom of barrel is designed as flat shape, easy to be mounted on PCB.

Right-Angle Type 側放式



側放式的設計大大減少產品的厚度。適用於當前超薄產品的電池連接部份。定位柱的設計更利於產品精確定位。
"Right-angle" design helps designer to narrow the space. Usually applied for the battery connector of super-thin electronic products. The design of housing positioning pin is good for precise position.

Bending Type 折彎式



針軸尾部折彎，提供設計人員在空間的利用上更多選擇
"Bending tail of barrel" offers engineers to have more choices on space adjustment.

Plug-in Type 插件式



針軸尾部帶有定位針。與PCB板焊接時，不會發生偏移現象，定位效果佳。
With positioning pin on the bottom of barrel. Hard to shift after mounted on PCB. Good performance on positioning.

Multiple Type 複合式



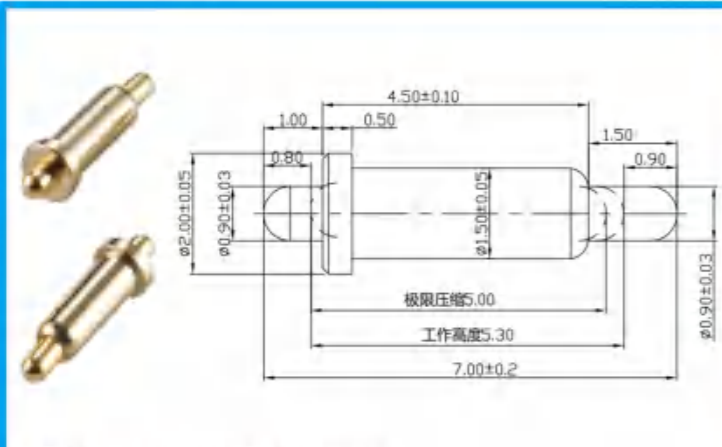
結合彈片及探針的設計，提供設計人員更有彈性的空間設計
"Bent metal plus pogo pin" offers engineers to have flexible design on space adjustment.

Double-Ended Pin 雙頭針

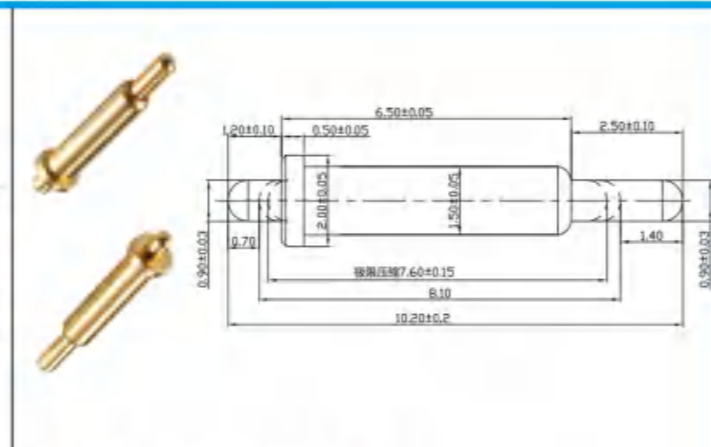


雙頭雙動的設計，讓工程師在板對板雙向連結有更多的空間彈性
Double-ended design offers engineers to have more choices of flexible space adjustment on board-to-board connection.

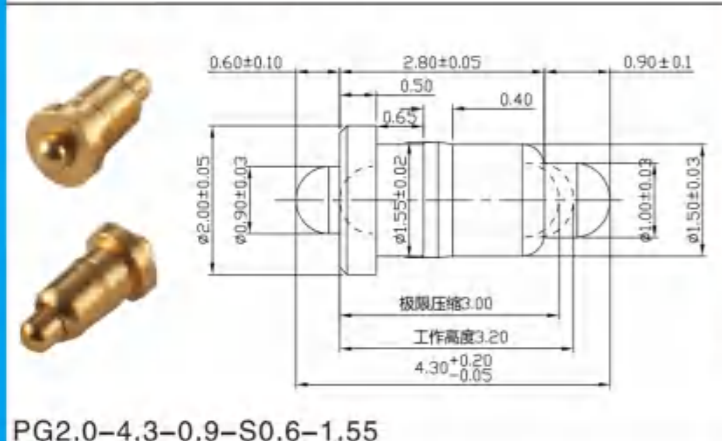
POGO PIN



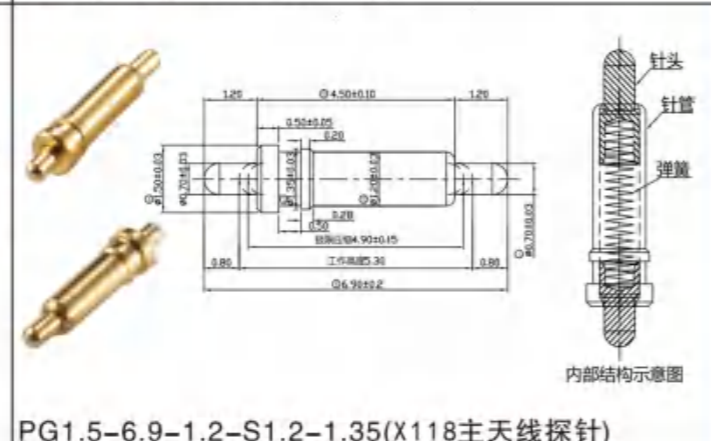
PG2.0-7.0-1.5-S1.0-1.50



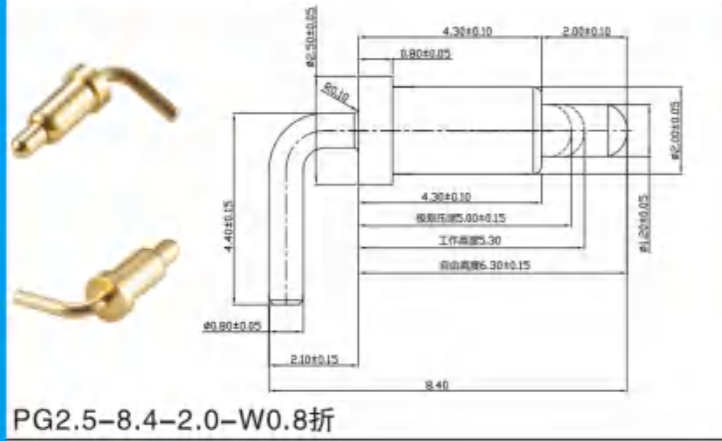
PG2.0-10.2-2.5-S1.2-1.50



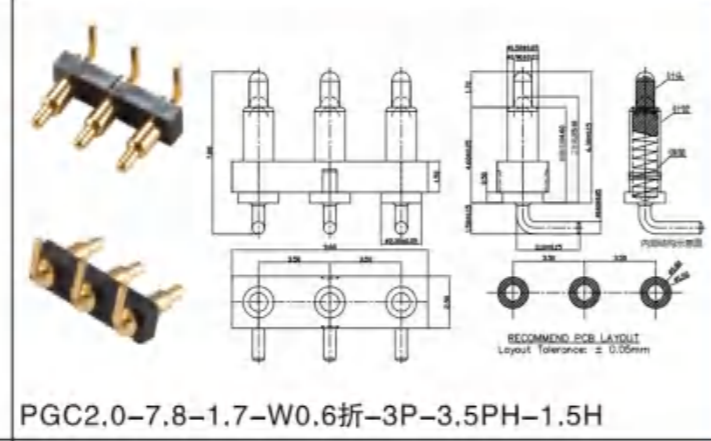
PG2.0-4.3-0.9-S0.6-1.55



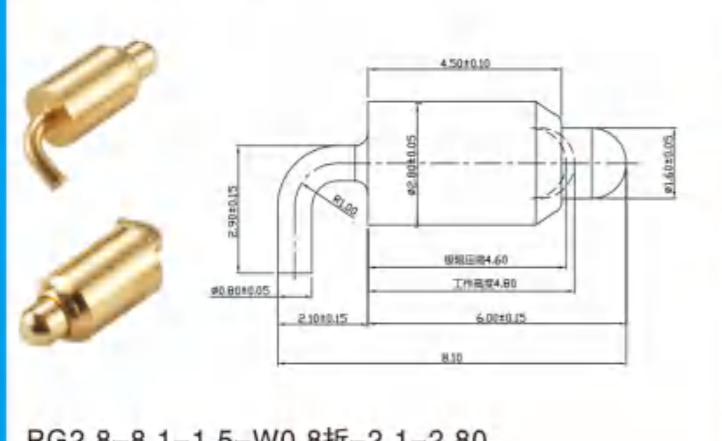
PG1.5-6.9-1.2-S1.2-1.35(X118主天线探针)



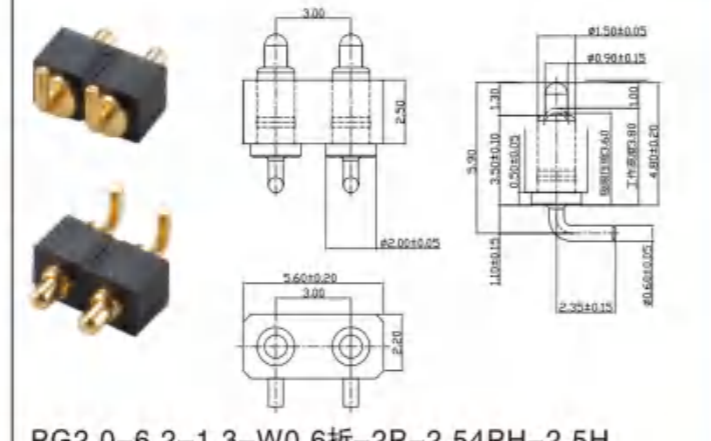
PG2.5-8.4-2.0-W0.8折



PGC2.0-7.8-1.7-W0.6折-3P-3.5PH-1.5H

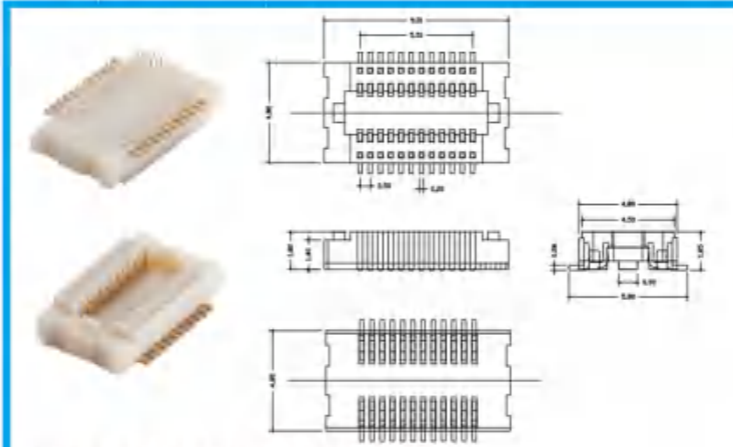


PG2.8-8.1-1.5-W0.8折-2.1-2.80

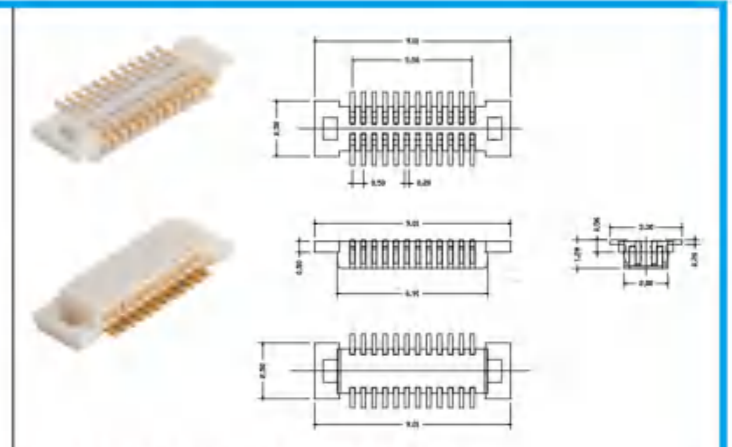


PG2.0-6.2-1.3-W0.6折-2P-2.54PH-2.5H

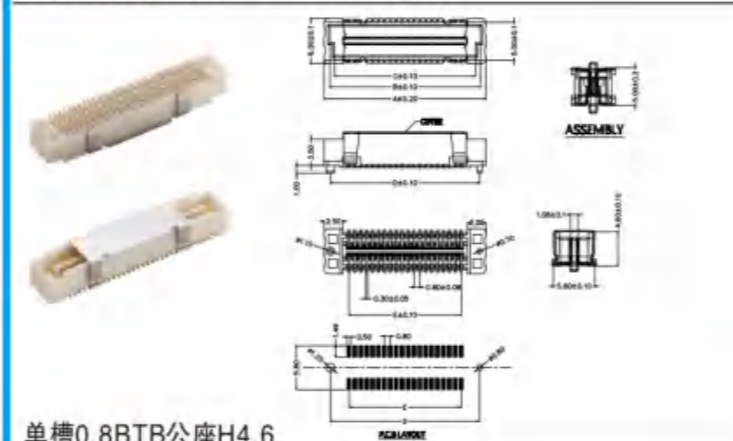
板对板系列



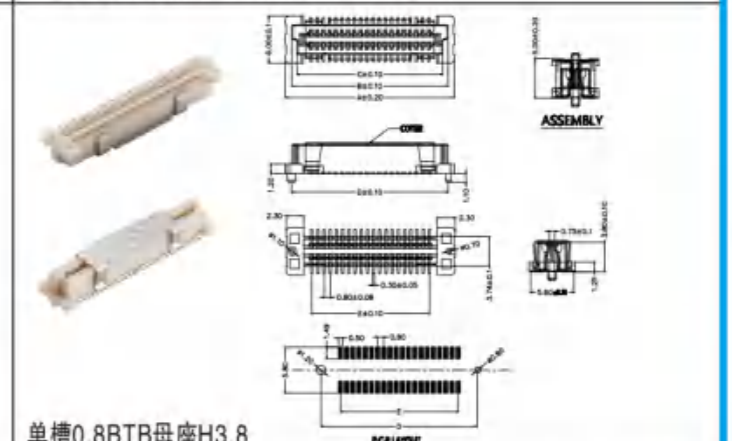
单槽0.5BTB 2X12P母座 H1.85无柱 本色



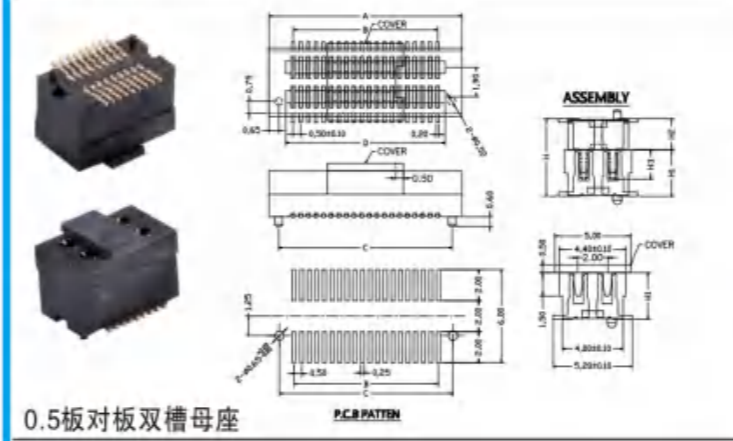
单槽0.5BTB 2X12P公座 H1.28无柱 本色



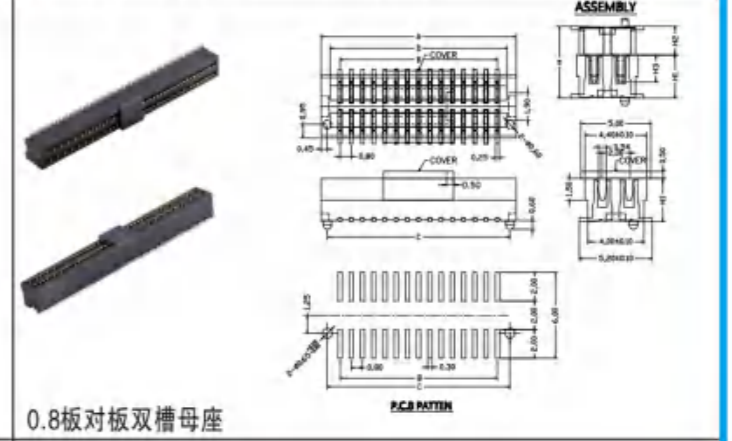
单槽0.8BTB公座H4.6



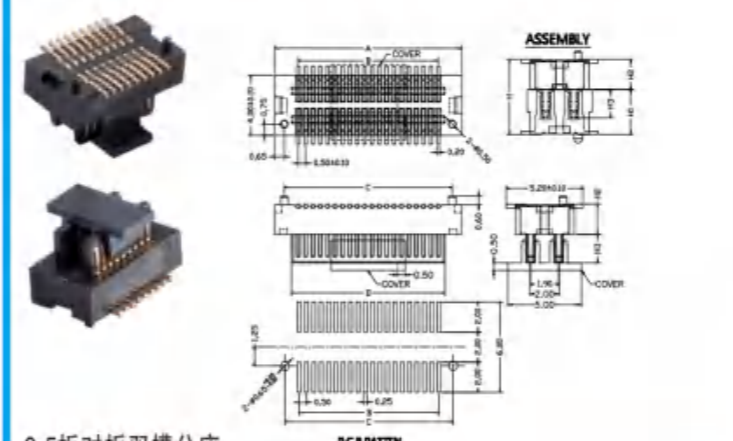
单槽0.8BTB母座H3.8



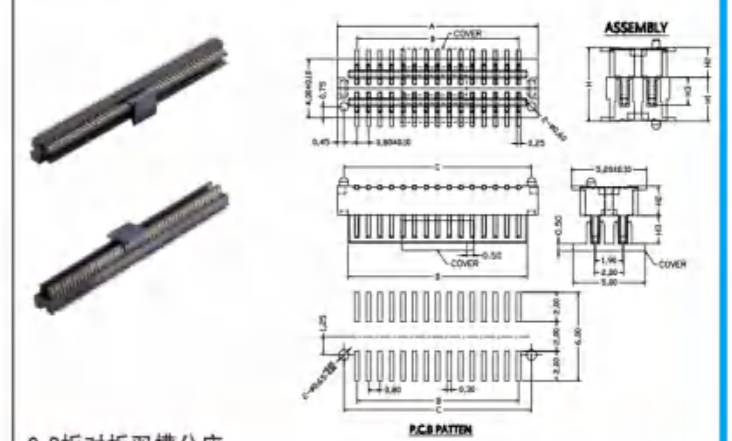
0.5板对板双槽母座



0.8板对板双槽母座

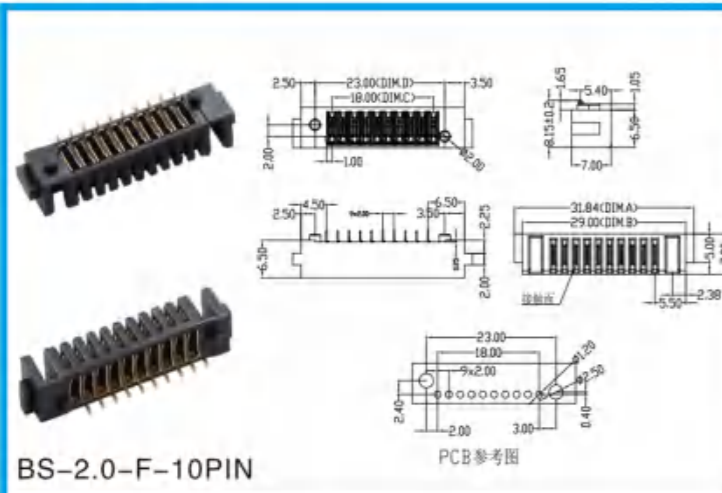
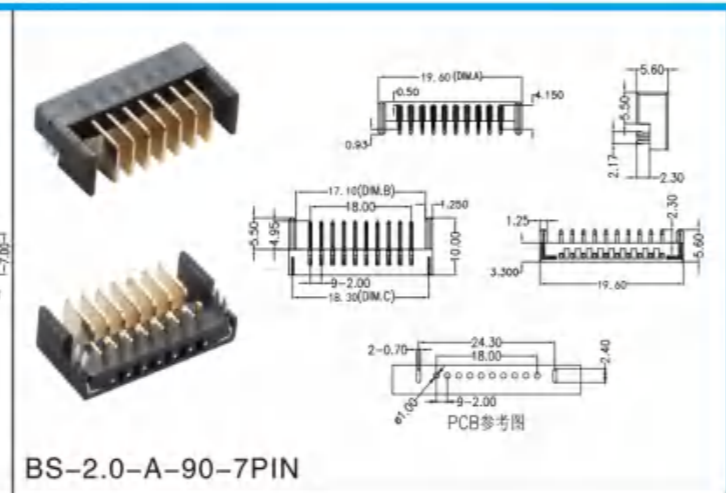
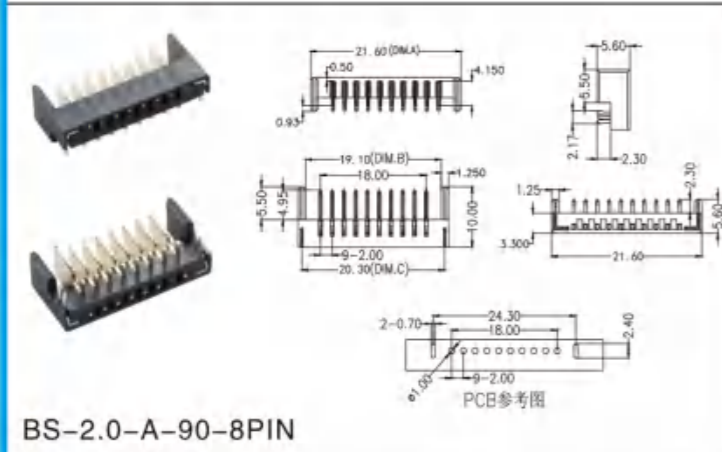
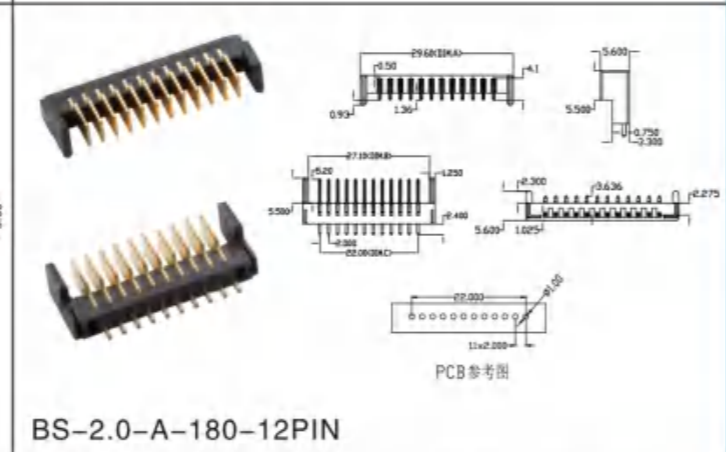
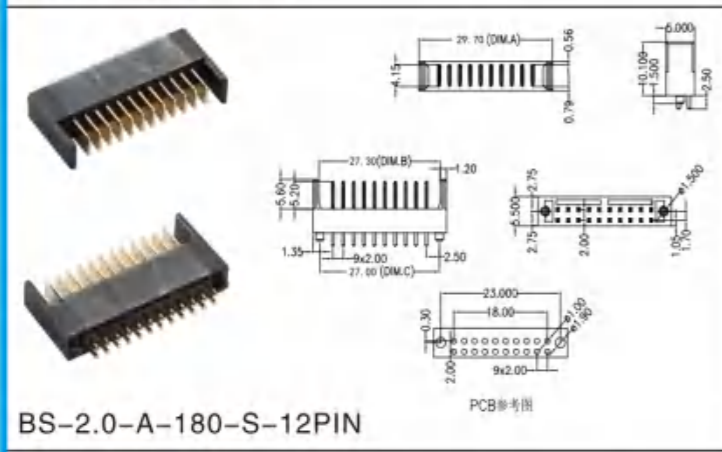
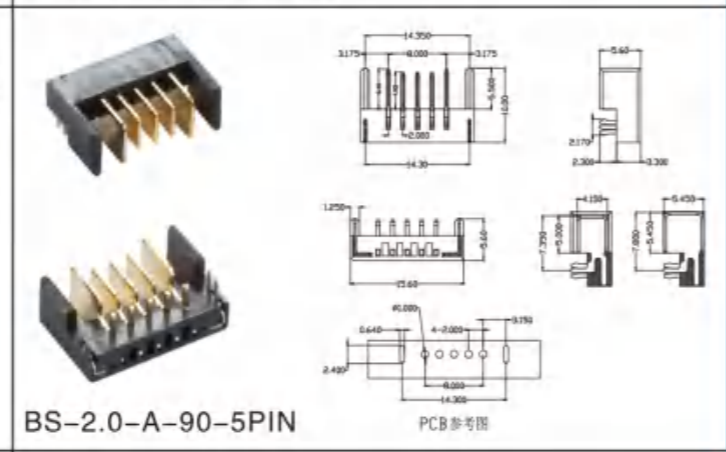

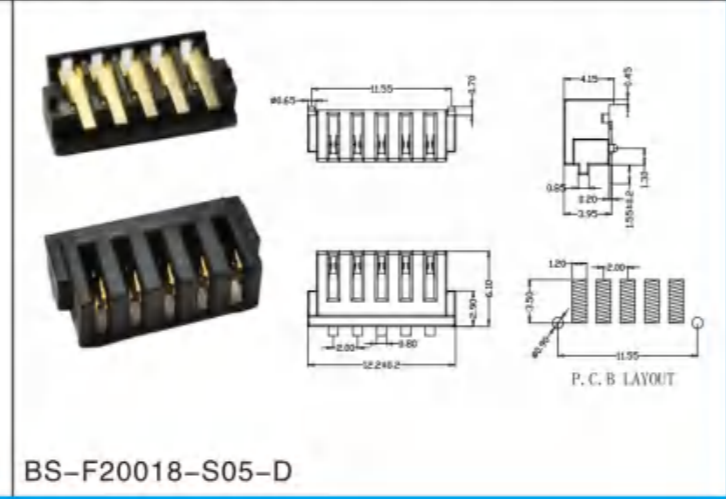


0.5板对板双槽公座

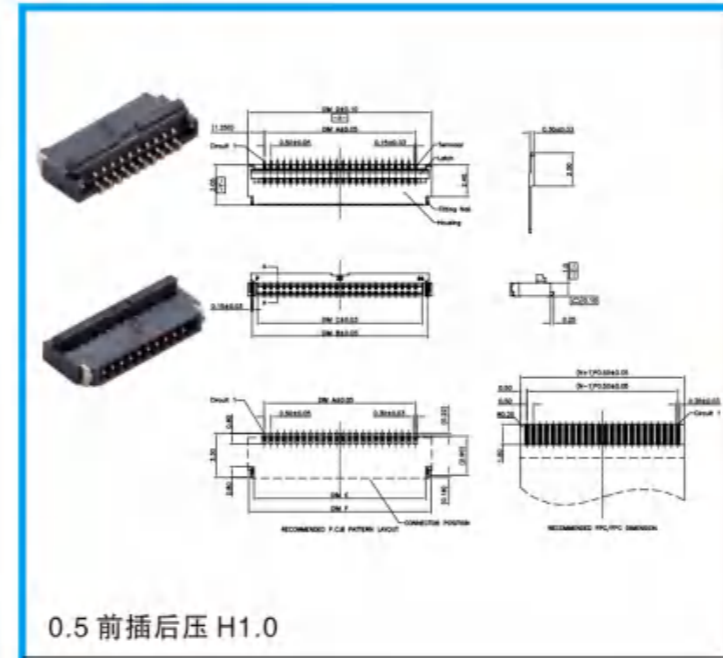
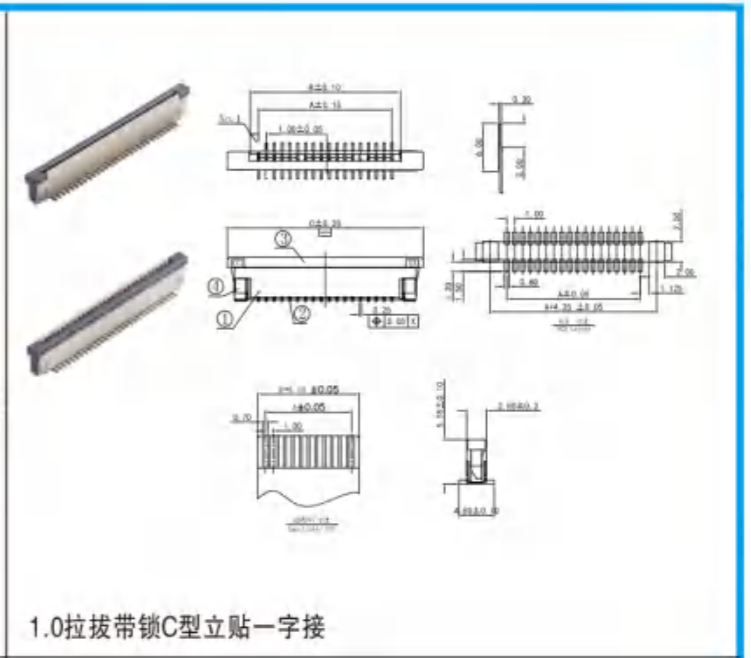
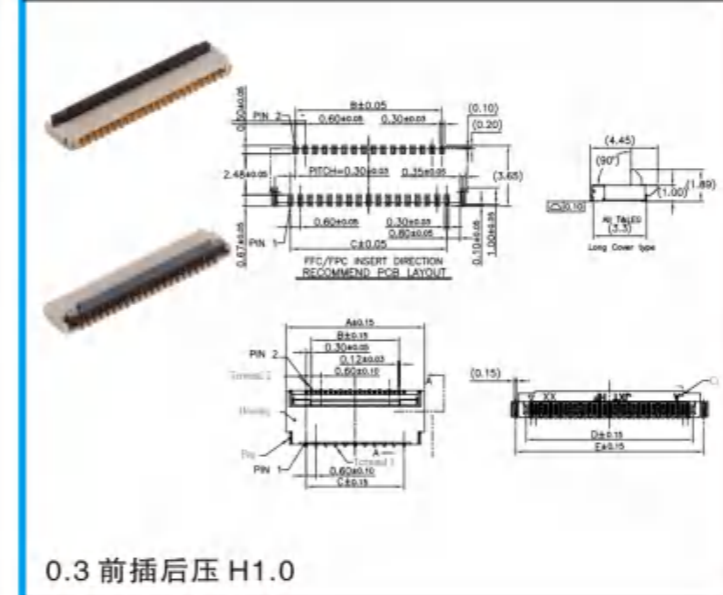
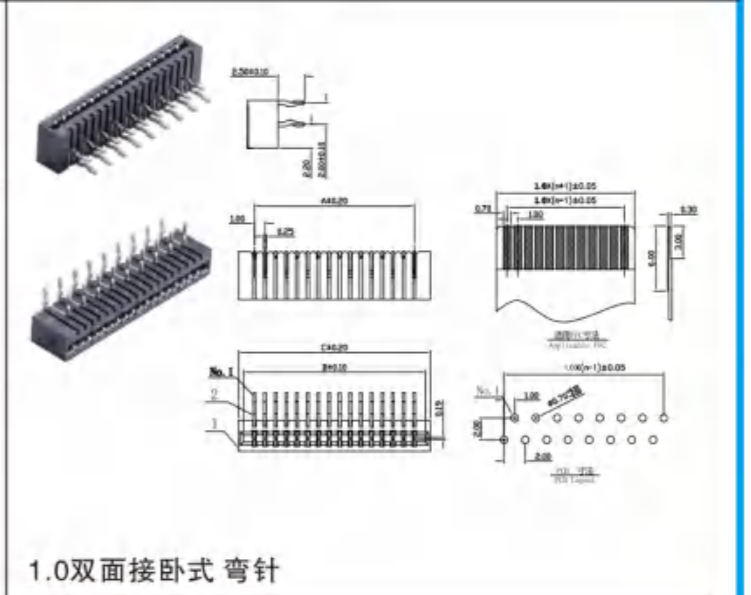
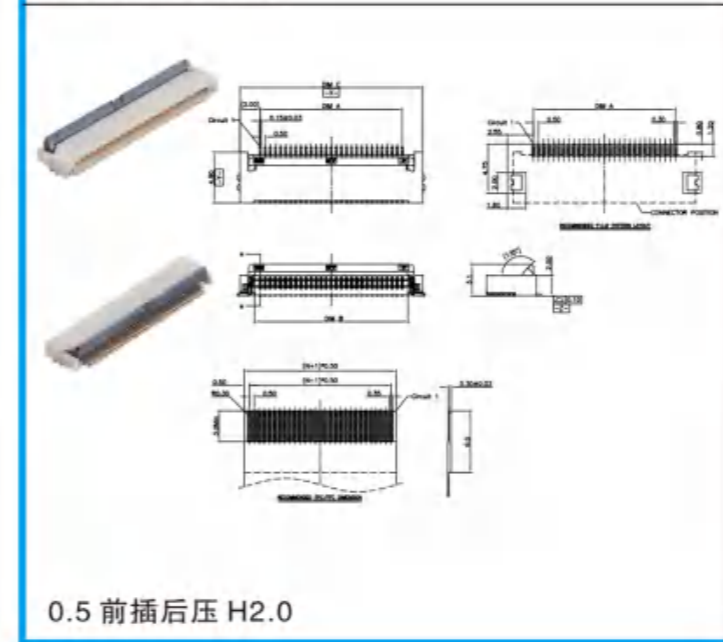
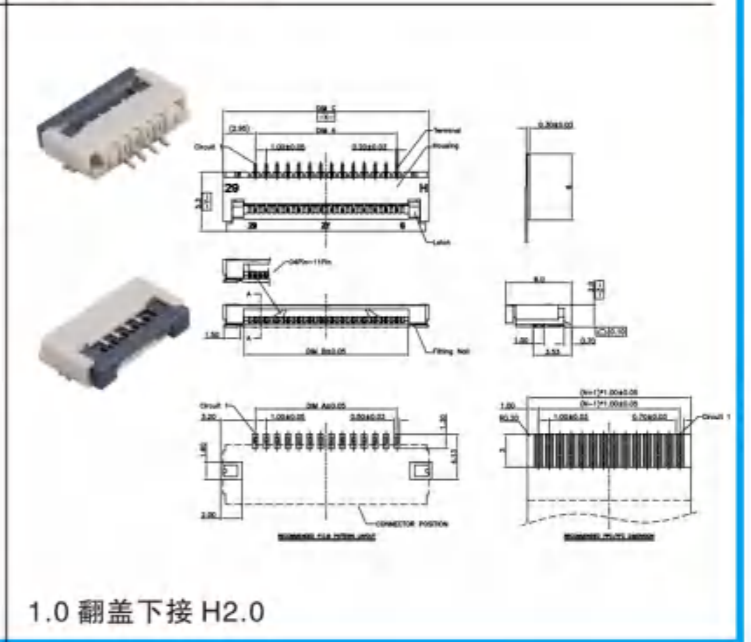


0.8板对板双槽公座

电池座系列

| | |
|---|--|
|  <p>BS-2.0-F-10PIN PCB参考图</p> |  <p>BS-2.0-A-90-7PIN PCB参考图</p> |
|  <p>BS-2.0-A-90-8PIN PCB参考图</p> |  <p>BS-2.0-A-180-12PIN PCB参考图</p> |
|  <p>BS-2.0-A-180-S-12PIN PCB参考图</p> |  <p>BS-2.0-A-90-5PIN PCB参考图</p> |
|  <p>BS-F20018-S05 P.C.B LAYOUT</p> |  <p>BS-F20018-S05-D P.C.B LAYOUT</p> |

FPC系列

| | |
|---|---|
|  <p>0.5 前插后压 H1.0 RECOMMENDED FPC PATTERN LAYOUT RECOMMENDED FPC PCB DIMENSION</p> |  <p>1.0 拉拔带锁C型立贴一字接</p> |
|  <p>0.3 前插后压 H1.0 RECOMMENDED FPC PATTERN LAYOUT RECOMMENDED FPC PCB DIMENSION</p> |  <p>1.0 双面接卧式弯针</p> |
|  <p>0.5 前插后压 H2.0 RECOMMENDED FPC PATTERN LAYOUT RECOMMENDED FPC PCB DIMENSION</p> |  <p>1.0 翻盖下接 H2.0 RECOMMENDED FPC PATTERN LAYOUT RECOMMENDED FPC PCB DIMENSION</p> |

FPC 系列

0.5 翻盖下接 H2.0

0.5 翻盖下接 H1.5

1.0 抽屉上接 K型 H2.5

0.5 抽屉下接 H2.0

1.0C型卧贴带焊片

1.0 抽屉下接K型 H2.5

FPC/FFC系列

0.5 抽屉上接 H2.0

1.0 双排直插 交叉脚

0.5 拉拔立式同向 H5.6

1.0 前插后压 H2.0

| 类型 | 常规型 | | 新型型 | |
|----|-----|-----|-----|-----|
| | 俯视图 | 侧视图 | 俯视图 | 侧视图 |
| A | | | | |
| B | | | | |
| C | | | | |
| D | | | | |
| E | | | | |
| F | | | | |

Wire Hardware And Cable Assemblies

RJ45/RJ11 Series

A-2网口沉板3.0带灯全塑

网口沉板3.0带弹全塑带灯

网口带屏蔽

网口沉板4.2带灯屏蔽SMT

E型网口沉板4.6半口 SMT

UP-SMT-PB4-S

CB-UP8.0-SMT-S反向沉板

SMT 5JA-1X1-8P8C-LED

RJ45/RJ11 Series

55A-1X1-4P4C

55A2-1X1-4P4C

55A-1X1-6P6C

55A-1X1-8P8C-S

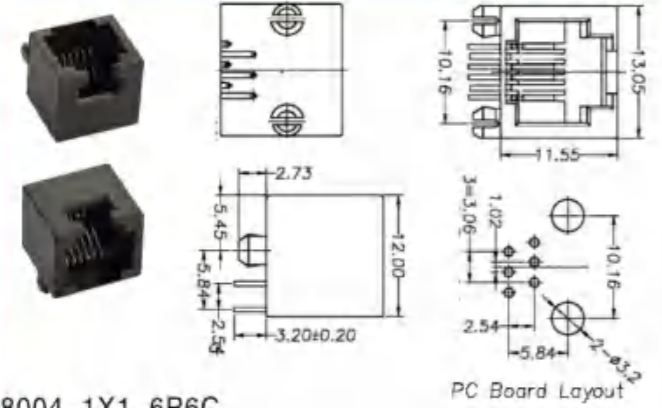
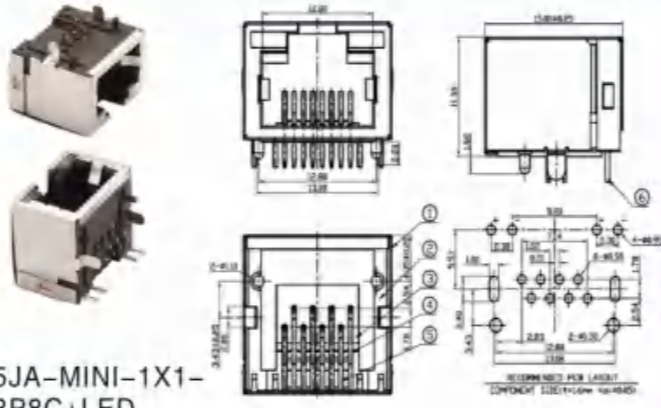

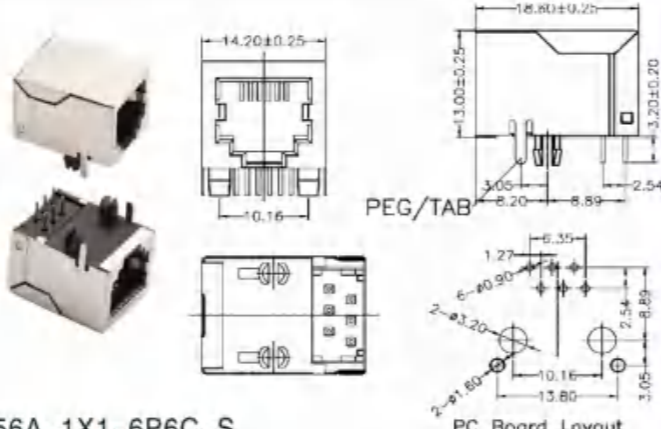
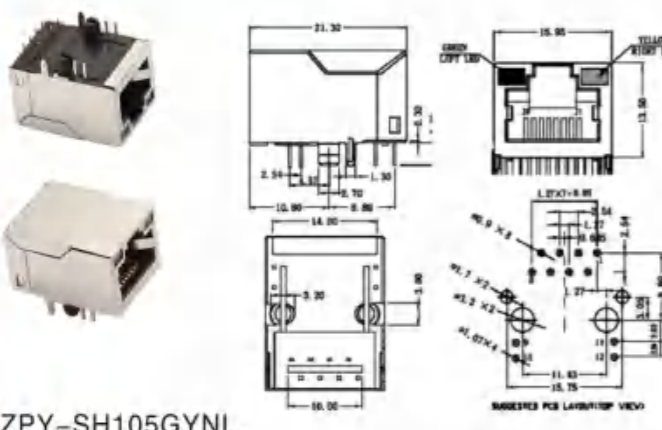
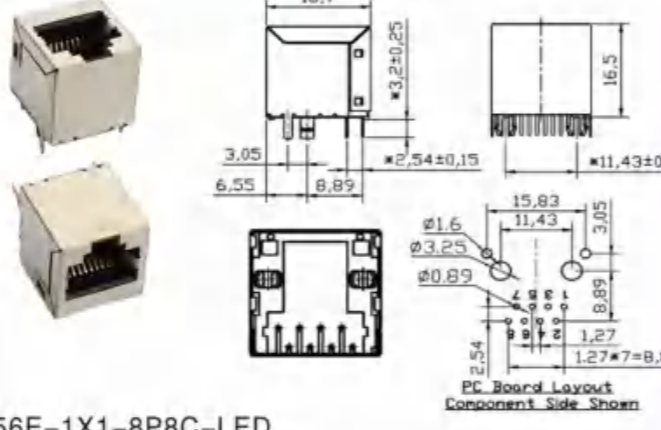
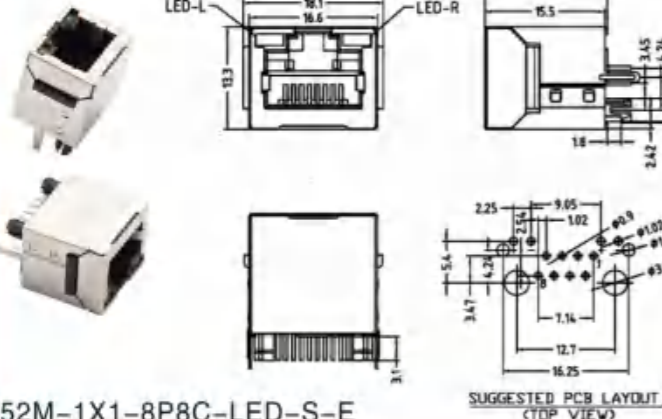
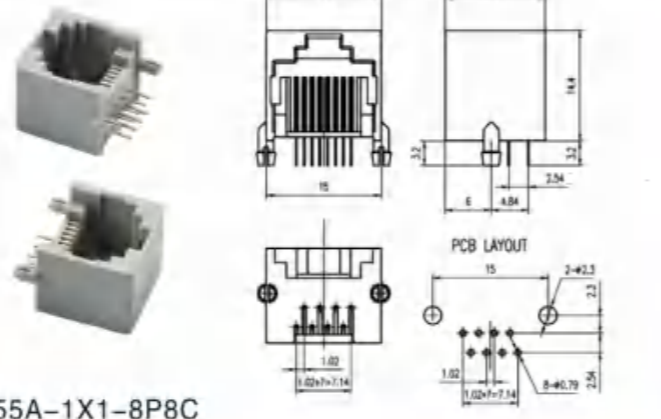
A-3网口沉板8.6全塑

A-2网口沉板8.6小包-002

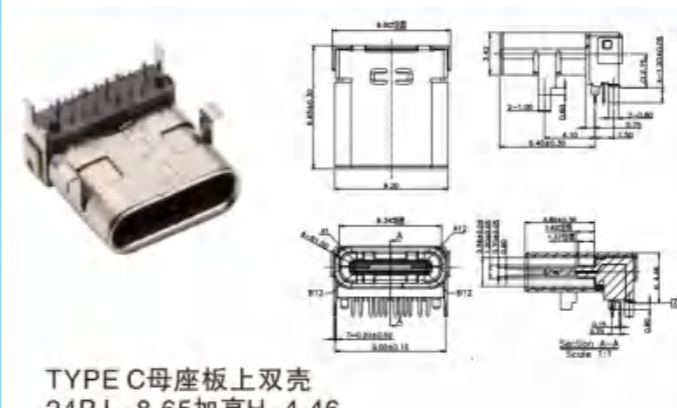
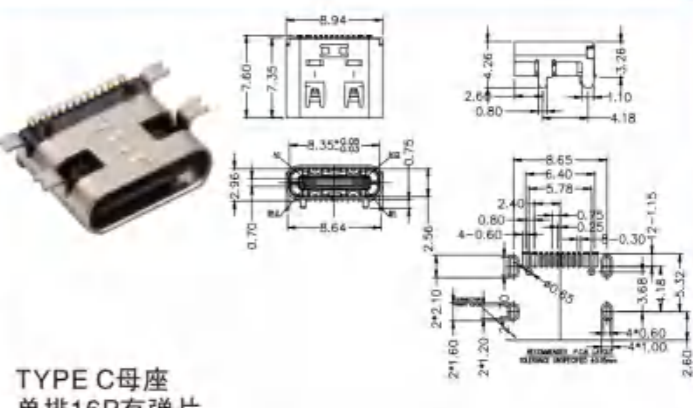
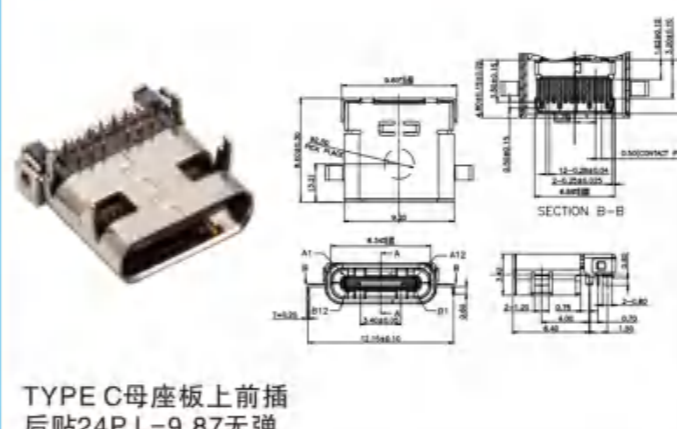
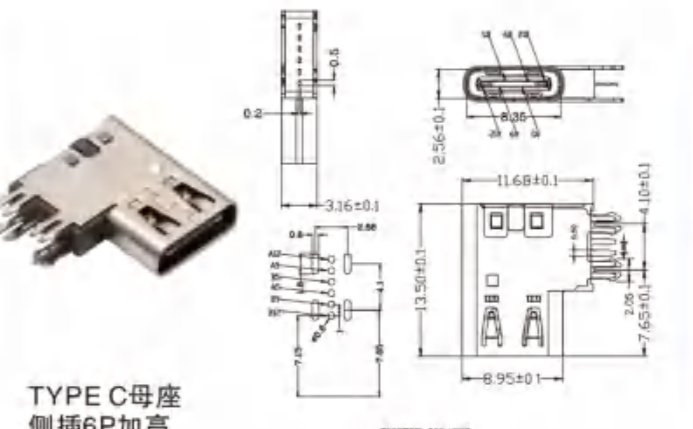
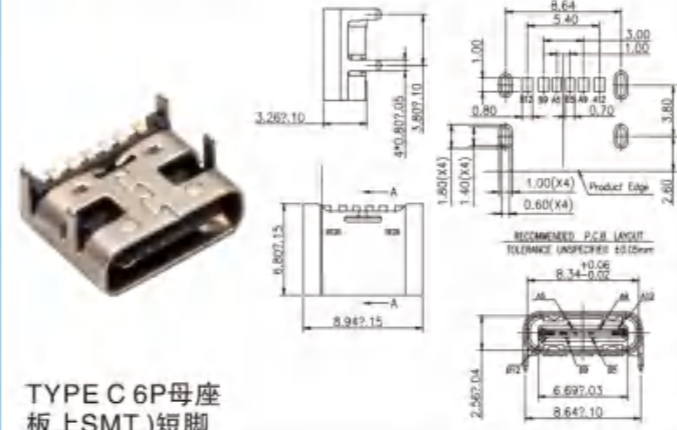
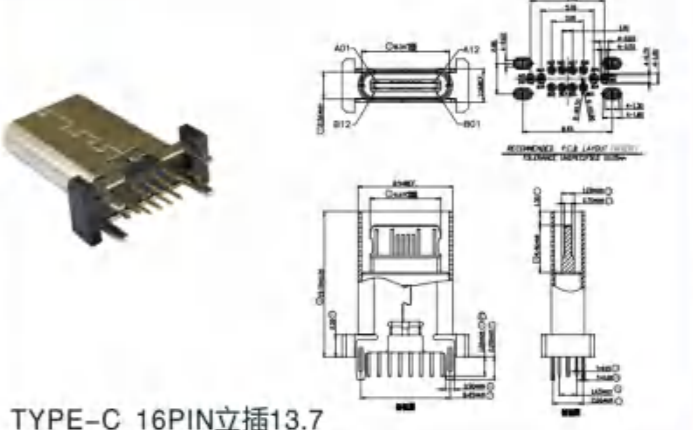
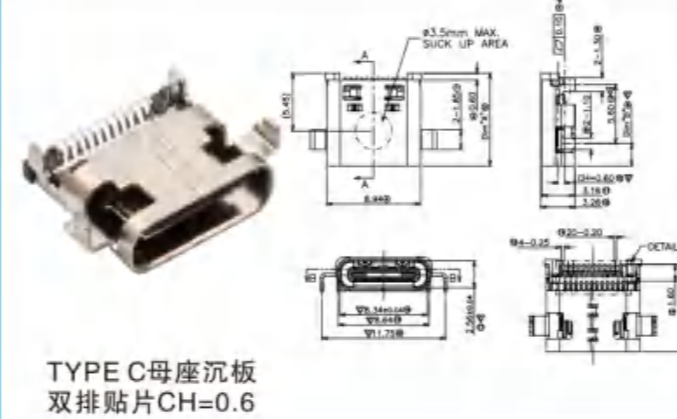
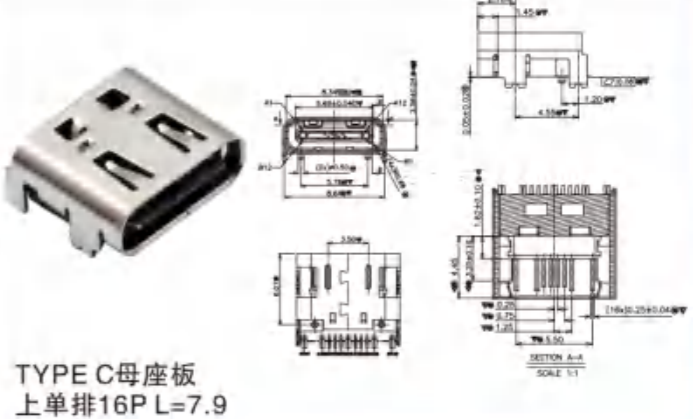
A-1网口沉板8.6全包

RJ45 A型 5.5 SMT-004

RJ45/RJ11 Series

| | |
|--|--|
|  <p>8004-1X1-6P6C PC Board Layout</p> |  <p>5JA-MINI-1X1-8P8C+LED</p> |
|  <p>5JA-1X1.8P8C 带灯无弹 PC Board Layout</p> |  <p>56A-1X1-6P6C-S PC Board Layout</p> |
|  <p>ZPY-SH105GYNL PC Board Layout</p> |  <p>56E-1X1-8P8C-LED PC Board Layout</p> |
|  <p>52M-1X1-8P8C-LED-S-E SUGGESTED PCB LAYOUT (TOP VIEW)</p> |  <p>55A-1X1-8P8C PCB LAYOUT</p> |

TYPE-C3.1 Series

| | |
|--|---|
|  <p>TYPE C母座板上双壳 24P L=8.65加高H=4.46</p> |  <p>TYPE C母座 单排16P有弹片</p> |
|  <p>TYPE C母座板上前插 后贴24P L=9.87无弹</p> |  <p>TYPE C母座 侧插6P加高</p> |
|  <p>TYPE C 6P母座 板上SMT)短脚</p> |  <p>TYPE-C 16PIN立插13.7</p> |
|  <p>TYPE C母座沉板 双排贴片CH=0.6</p> |  <p>TYPE C母座板 上单排16P L=7.9</p> |

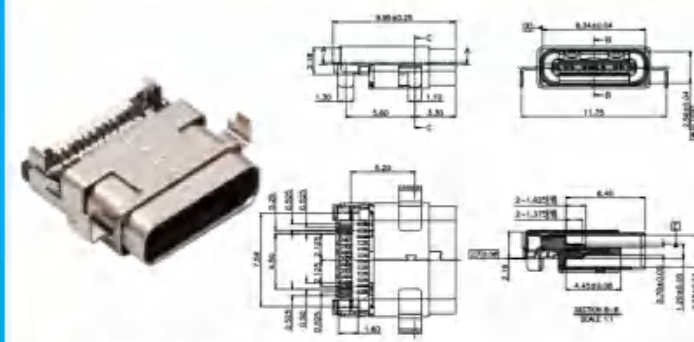
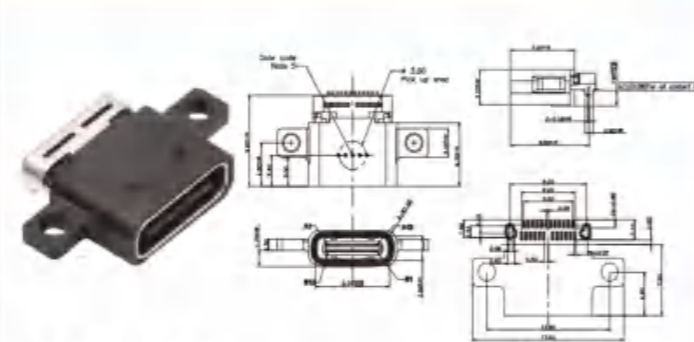
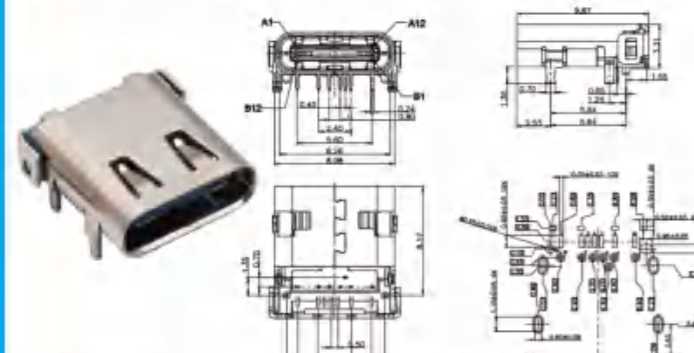
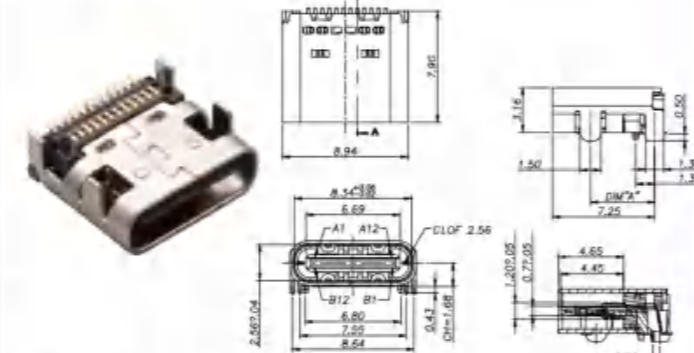
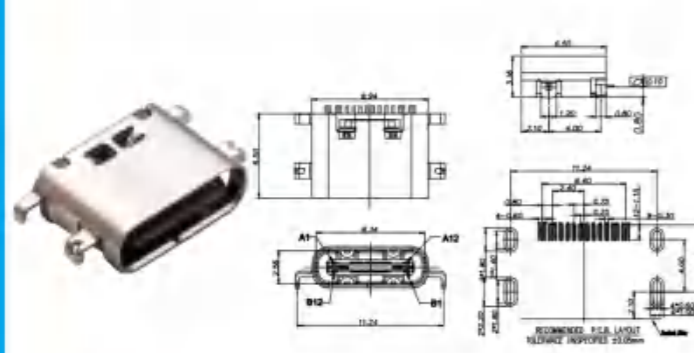
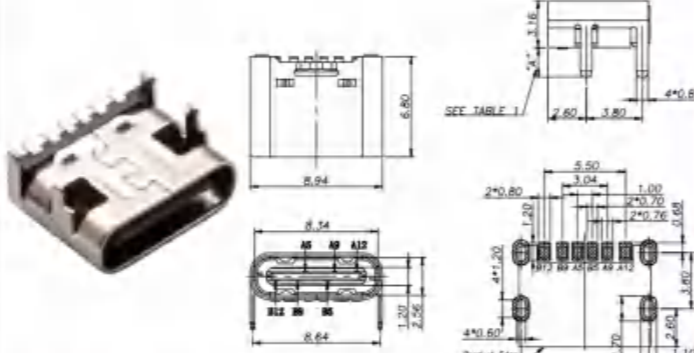
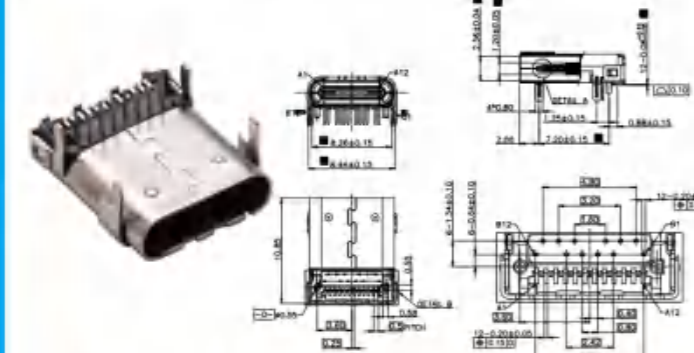
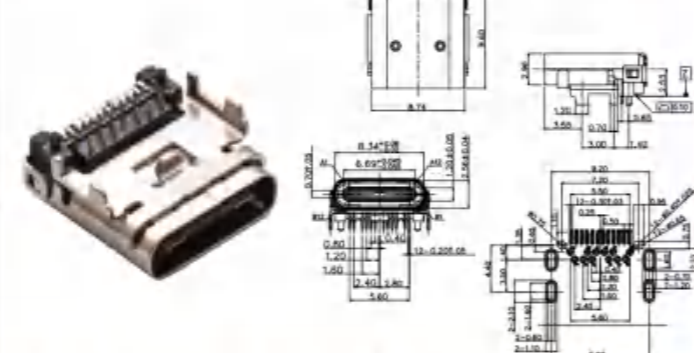
TYPE-C3.1 Series

| | |
|--|--|
| <p>TYPE C母座侧插 14P(垫高2.6)</p> | <p>TYPE C母座16P 立式 SMT L=9.3脚长1.15</p> |
| <p>TYPE C母座板上双壳前插 后贴24P L=10.0加高H=4.46</p> | <p>TYPE C 6P 母座沉板L=6.5</p> <p>A=沉板高度 A=1.5 A=1.2 A=0.8</p> |
| <p>Type-CF 180夹板 0.8长9.3 31C-S1</p> | <p>TYPE C母座14PIN与 USB 2.0母单面插二合一</p> |
| <p>TYPE C 2.0母座 14PIN 180度插板</p> | <p>TYPE C 14P 母座侧插普通款</p> |

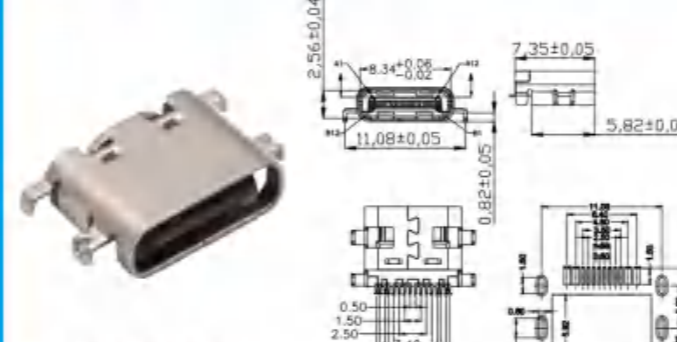
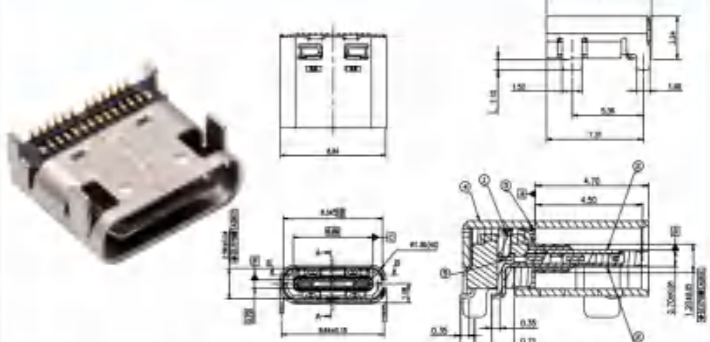
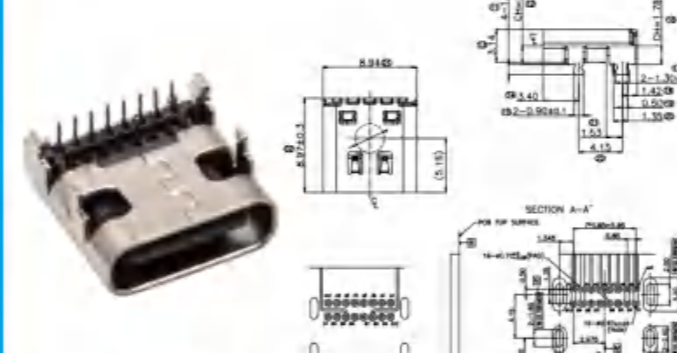
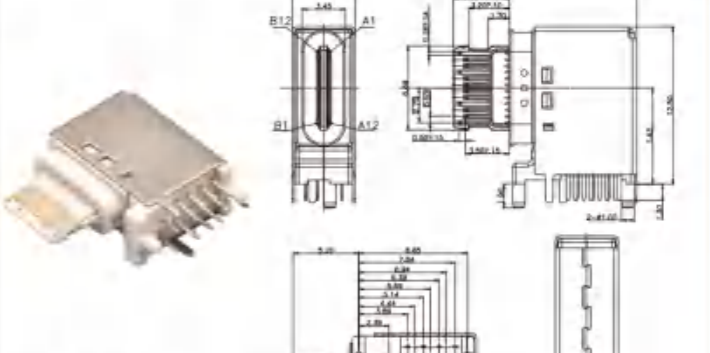
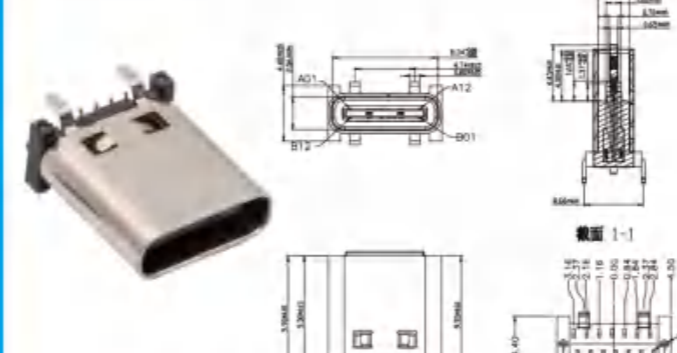
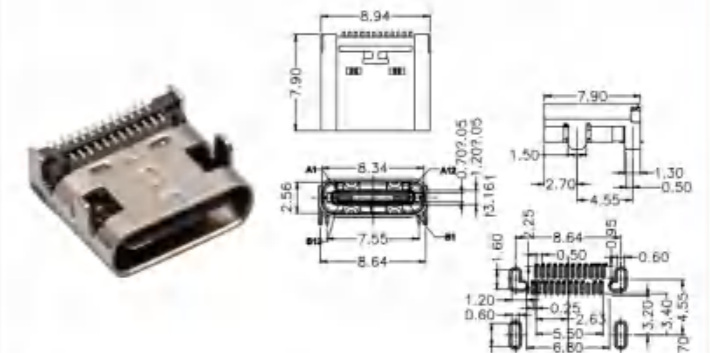
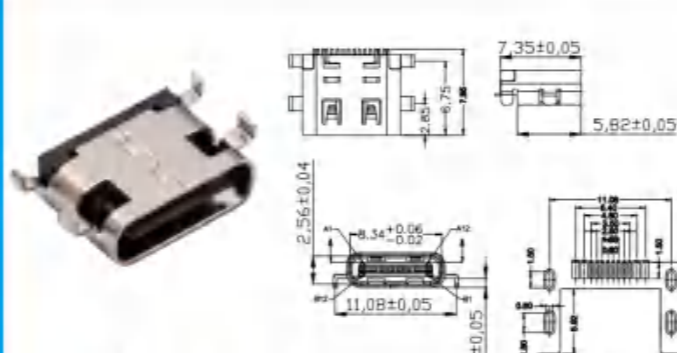
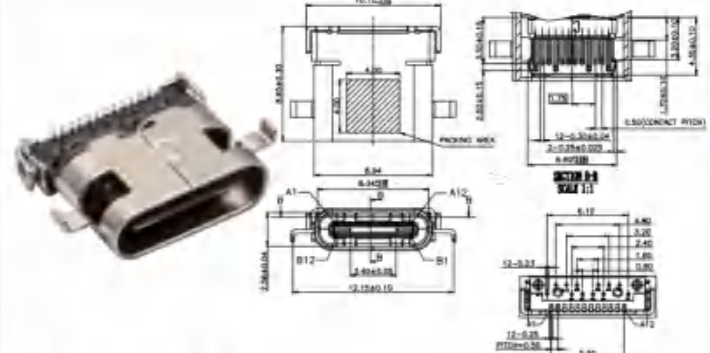
TYPE-C3.1 Series

| | |
|---|--|
| <p>TYPE C母座 夹板短体L=6.5</p> <p>RECOMMENDED P.C.B. LAYOUT (T: 0.80mm) TOLERANCE UNSPECIFIED ±0.05mm</p> | <p>TYPE C 16P 母座上SMT</p> |
| <p>TYPE C母座180度立式 SMT四脚插板L=10.0</p> <p>RECOMMENDED P.C.B. LAYOUT (T: 1.00mm) TOLERANCE UNSPECIFIED ±0.10mm</p> | <p>TYPE C母座单排16P SMT垫高4.3脚位4.5</p> |
| <p>TYPE C母座板上 双壳 L=9.4MM</p> <p>PICK UP CIRCLE R1.20 MAX</p> | <p>TYPE C母座沉板前DIP 后SMT四脚插板居中型</p> |
| <p>TYPE C母座夹板24P 短体L=5.7MM</p> <p>截面 A-A</p> <p>RECOMMENDED P.C.B. LAYOUT (T: 0.80mm) TOLERANCE UNSPECIFIED ±0.05mm</p> | <p>TYPE C母座沉板双壳前插 后贴DIP+SMT 24P L=8.65</p> |

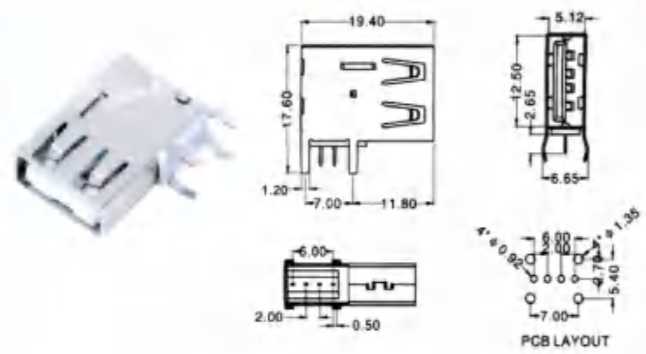
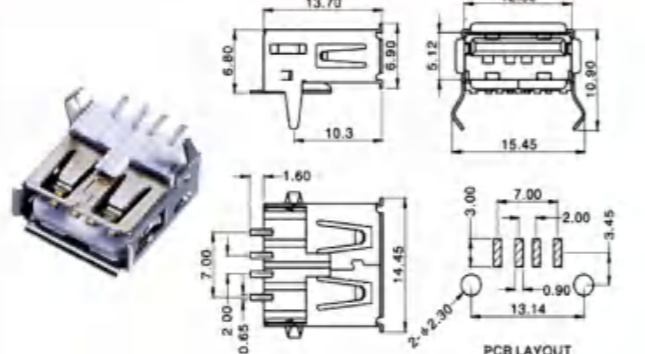
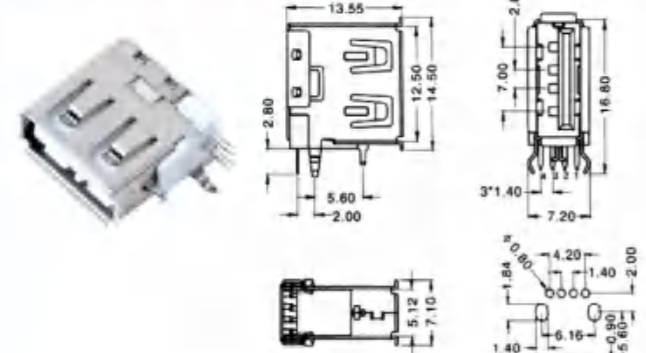
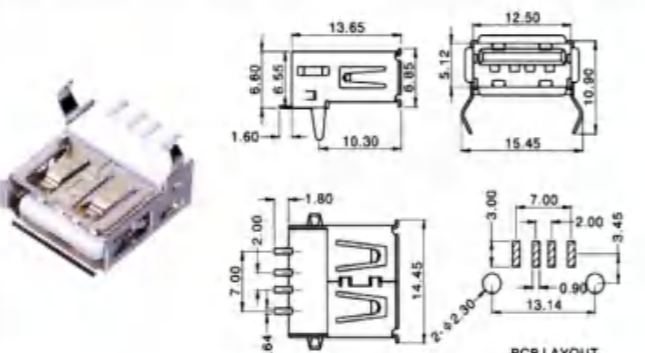
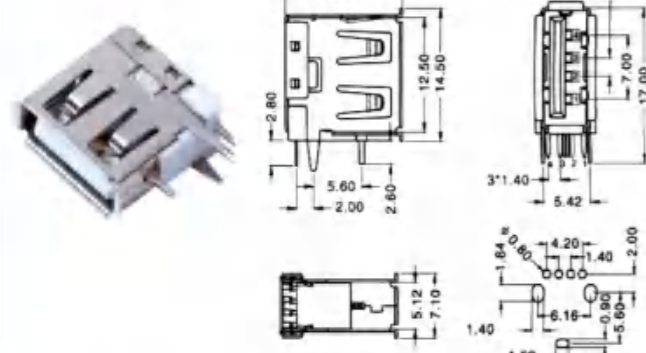
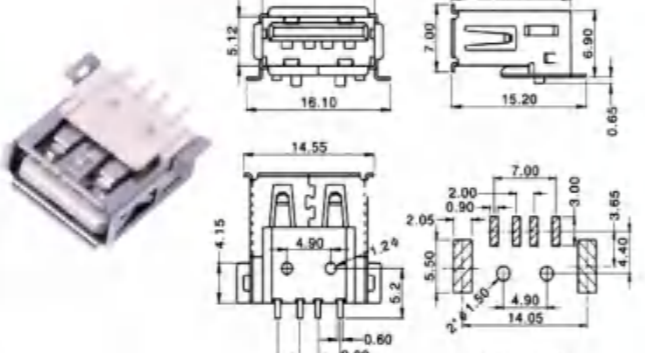
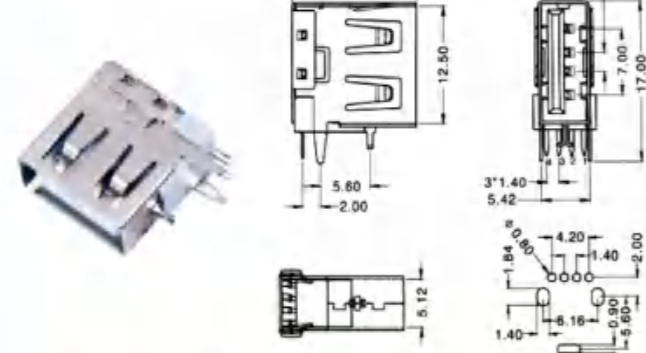
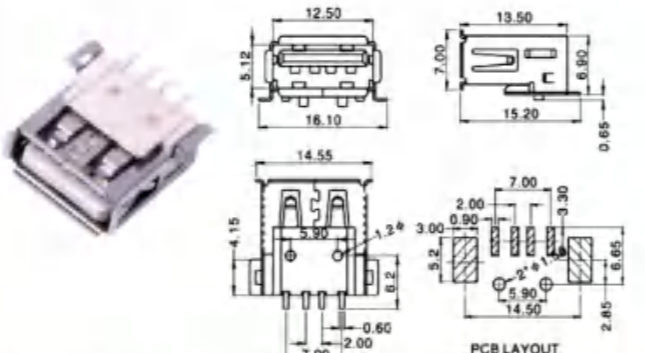
TYPE-C3.1 Series

| | |
|--|--|
|  <p>TYPE C母座沉板1.1 双贴双壳 四脚插板</p> |  <p>TYPE C母座防水 沉板1.6带螺丝孔</p> |
|  <p>TYPE C母座板上 前插后贴14P</p> |  <p>TYPE C母座板上双排 SMT有柱有凸包</p> |
|  <p>TYPE C母座单排 16P 沉板0.8</p> |  <p>TYPE C母座 板上6P SMT 短脚</p> |
|  <p>TYPE C母座板上 前插后贴L=10.85</p> |  <p>TYPE C母座板上 L=9.6mm 排距0.70mm 垫高CL=2.53mm加后塞外壳圆形凸包</p> |

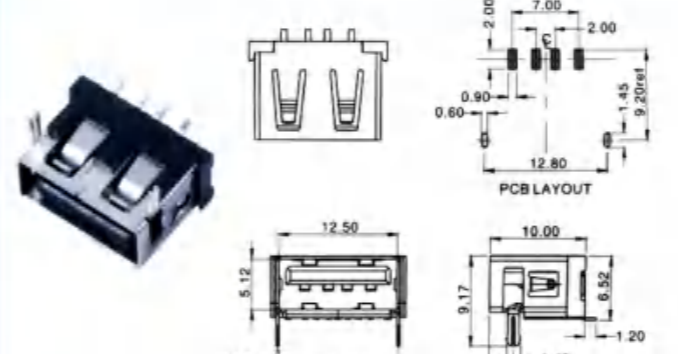
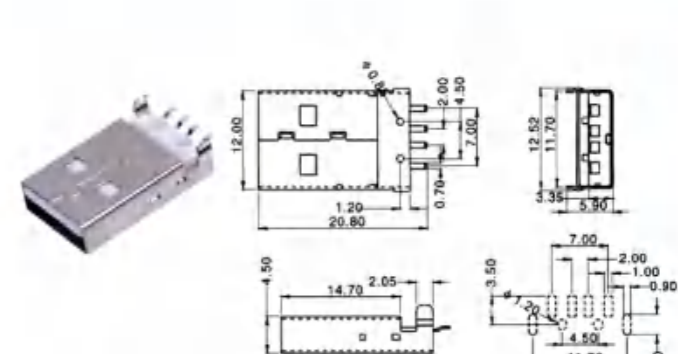
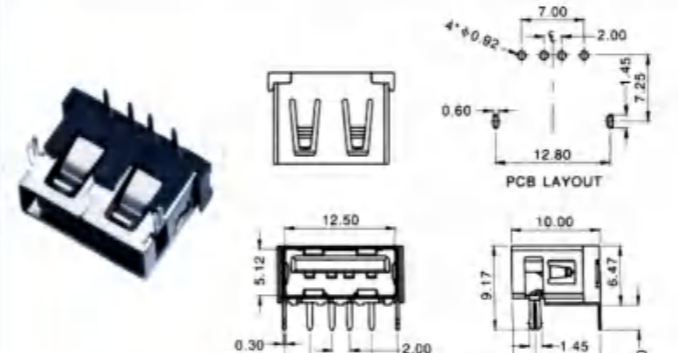
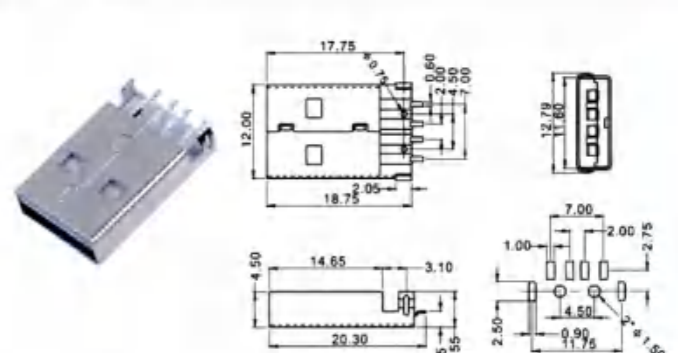
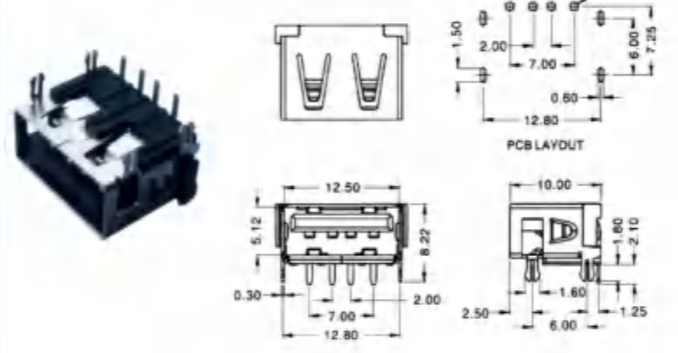
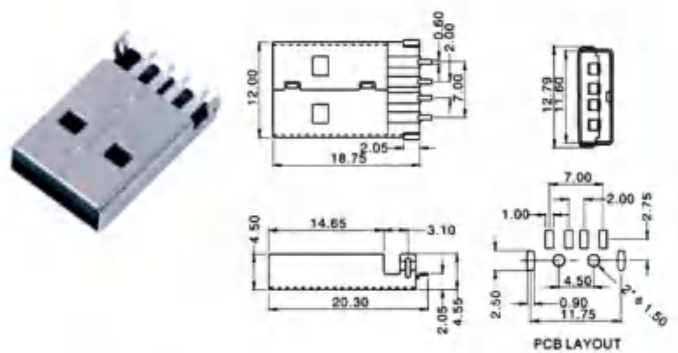
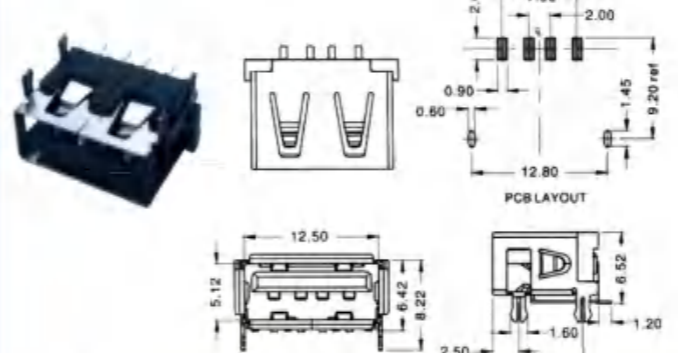
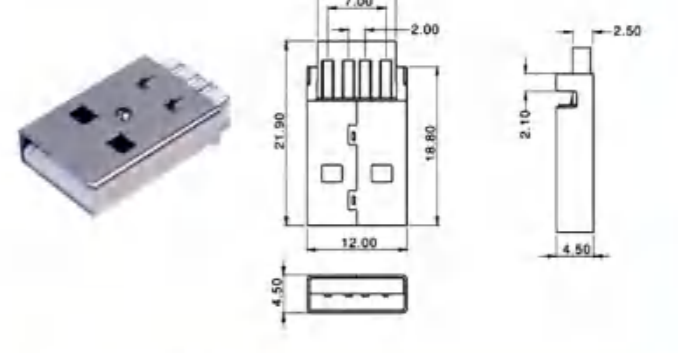
TYPE-C3.1 Series

| | |
|--|--|
|  <p>TYPE C母座单排16P 沉板0.8无弹L=7.35</p> |  <p>TYPE C 24P母座板上 双排SMT MOLEX款</p> |
|  <p>TYPE C 16P母座 双排插板90度</p> |  <p>TYPE C母座 侧插16P纯塑</p> |
|  <p>TYPE C 14P母座 180度SMT H=9.3</p> |  <p>TYPE C母座板上双排 SMT 24P无柱改模款</p> |
|  <p>TYPE C母座单排16P 沉板0.8有弹L=7.35</p> |  <p>TYPE C母座沉板前插后贴 DIP+SMT 24P L=8.65</p> |

USB2.0 Series

| | |
|---|--|
|  <p>USB AF 侧插长体D款无卷边</p> |  <p>USB AF 弯脚无盖有卷边 SMT</p> |
|  <p>USB AF 侧插短体弯脚反向</p> |  <p>USB AF 一型弯脚无盖有卷边 SMT</p> |
|  <p>USB AF 侧插短体直脚加长</p> |  <p>USB AF 全贴片定位柱1.20</p> |
|  <p>USB AF 侧插短体直脚无卷边</p> |  <p>USB AF 全贴片定位柱5.9</p> |


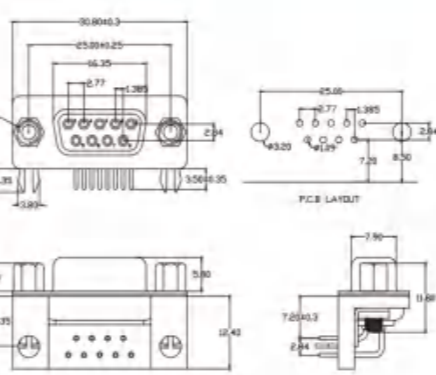

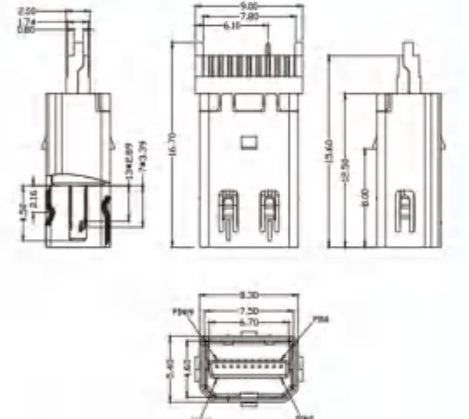

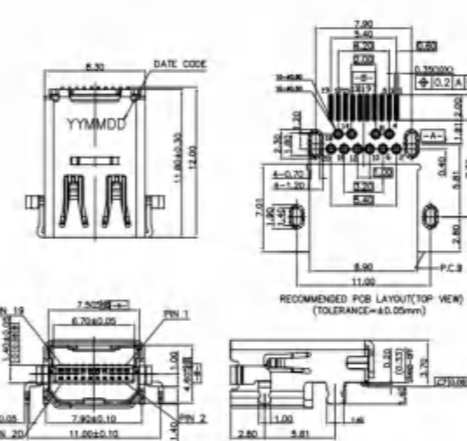

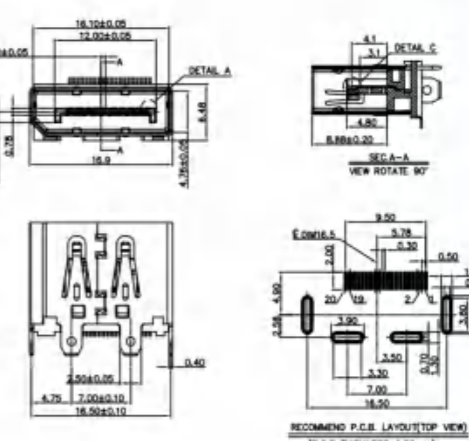

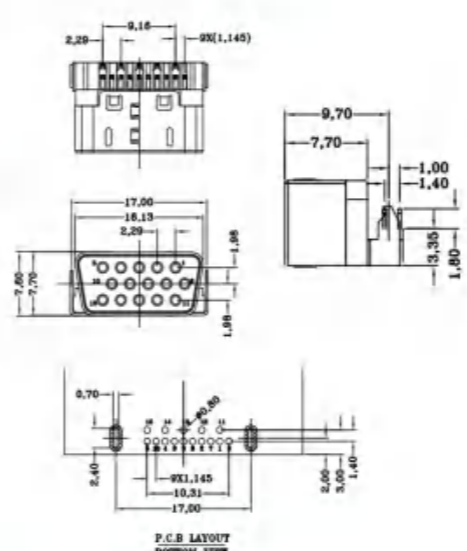

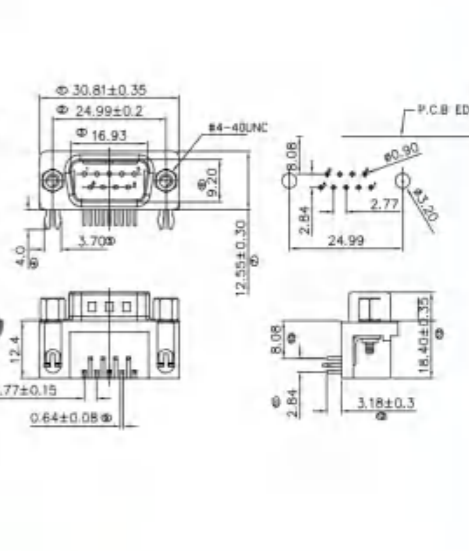
USB2.0 Series

| | |
|--|---|
|  <p>USB AF 10.0两脚无卷边SMT</p> |  <p>USB AM SMT</p> |
|  <p>USB AF 10.0两脚无卷边90度</p> |  <p>USB AM 沉板 SMT</p> |
|  <p>USB AF 10.0四脚无卷边90度</p> |  <p>USB AM 沉板 SMT 无柱</p> |
|  <p>USB AF 10.0四脚无卷边SMT</p> |  <p>USB AM 短体焊线式</p> |


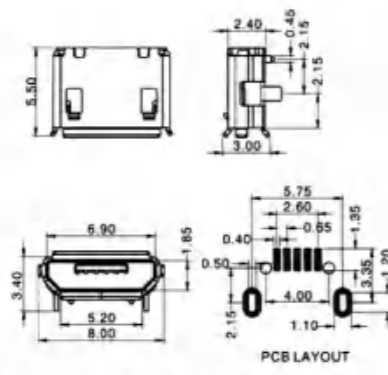

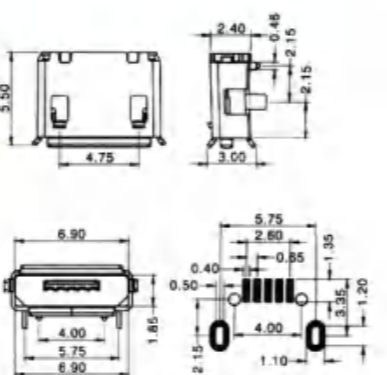

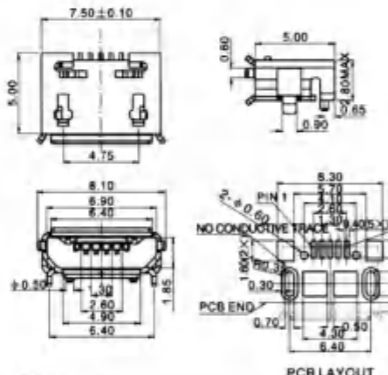

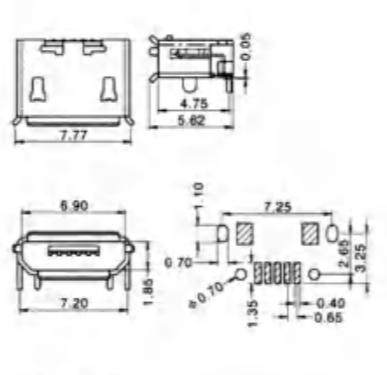

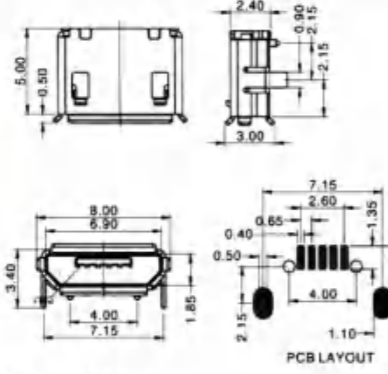

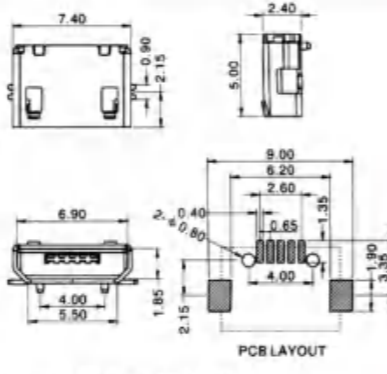

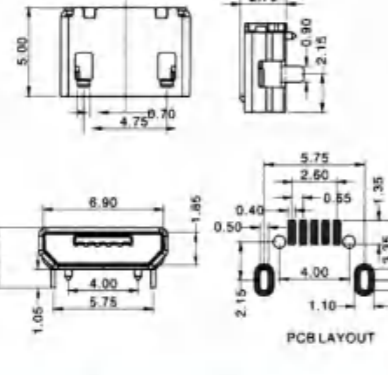

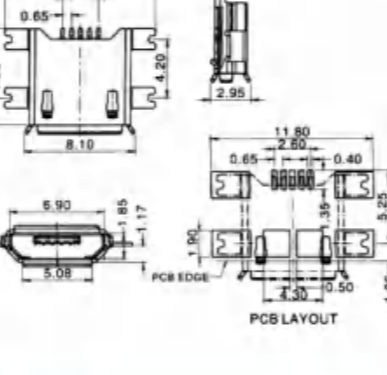
USB2.0 Series

| | |
|--|---|
|   |   |
| <p>USB AF 90度 弯脚有盖有卷边</p> | <p>USB AF 90度 直脚有盖有卷边</p> |
|   |   |
| <p>USB AF 90度 弯脚有盖无卷边</p> | <p>USB AF 90度 加高型鱼叉脚</p> |
|   |   |
| <p>USB AF 90度 一型弯脚有盖无卷边</p> | <p>USB AF 90度 有盖鱼叉脚</p> |
|   |   |
| <p>USB AF 90度 直脚无盖有卷边</p> | <p>USB AF 90度 弯脚无盖有卷边</p> |

DR/DP Series

| | |
|---|---|
|   |   |
| <p>DR 9P母公车针折弯7.2带塑胶支架铆锁</p> | <p>MINI DP母座焊线式</p> |
|   |   |
| <p>MINI Displayport母沉板前插后贴 L=11.8</p> | <p>Displayport 母180度SMT 外壳脚长2.2H=13</p> |
|   |   |
| <p>DR母座沉板3.85 L=11.0</p> | <p>DR 9P公90度铆锁螺丝</p> |

MICRO USB Series

| | |
|---|---|
|   |   |
|   |   |
|   |   |
|   |   |

MICRO USB 5PIN/F SMT B TYPE 插脚

MICRO USB 5PIN/F SMT AB TYPE 插脚

MICRO USB 5PIN/F 插脚 6.4

MICRO 5PIN/F 插板 (牛角)


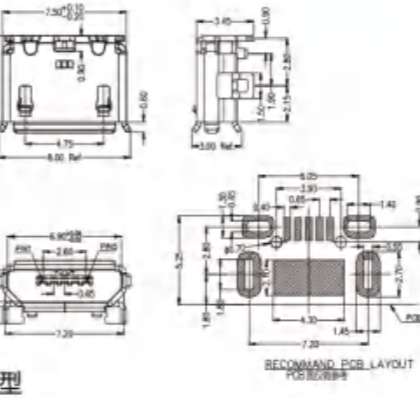

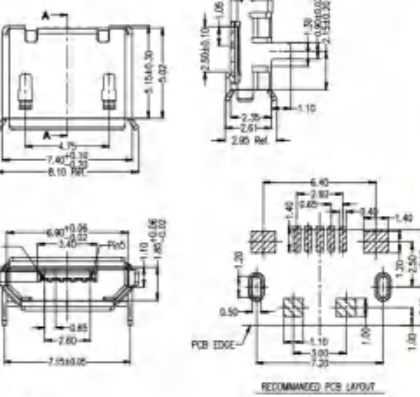

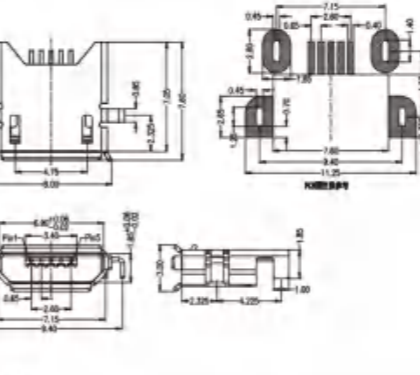

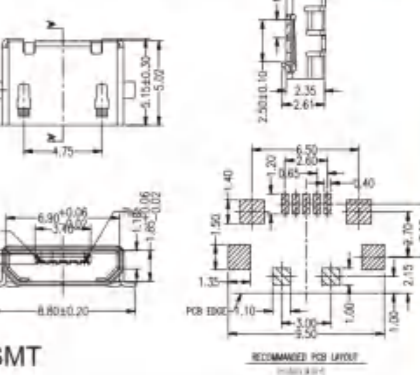

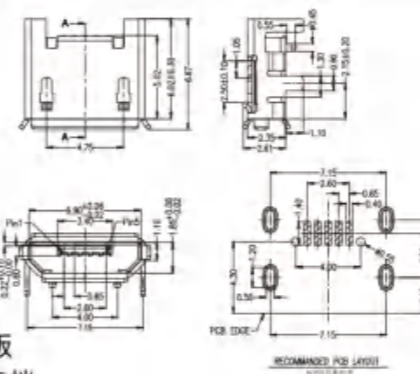

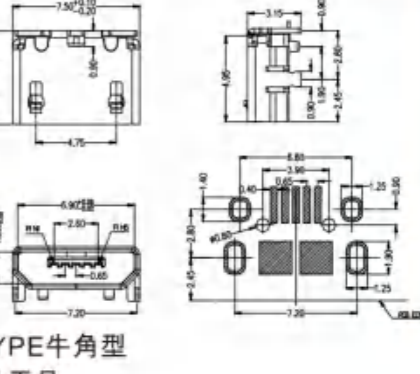

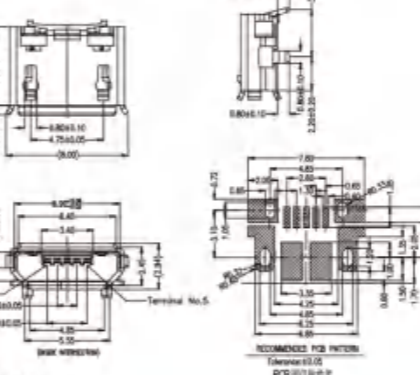

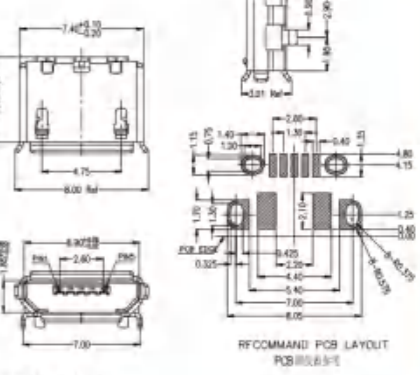
MICRO USB 5PIN/F 插脚7.15有柱

MICRO USB 5PIN/F SMT B TYPE 无卷边

MICRO USB 5PIN/F SMT B TYPE 插脚无卷边

MICRO USB 5PIN/F 沉板 1.27

MICRO USB Series

| | |
|---|---|
|   |   |
|   |   |
|   |   |
|   |   |

MICRO 5PF B型牛角型
6.05 7.2有柱有边短针

MICRO 5P母两脚7.2
脚长1.1无柱有边加焊位

Micro usb 5s B Type
Smt破板1.6四脚全插有边

Micro usb 5P B Type SMT
四脚全贴无导位无柱

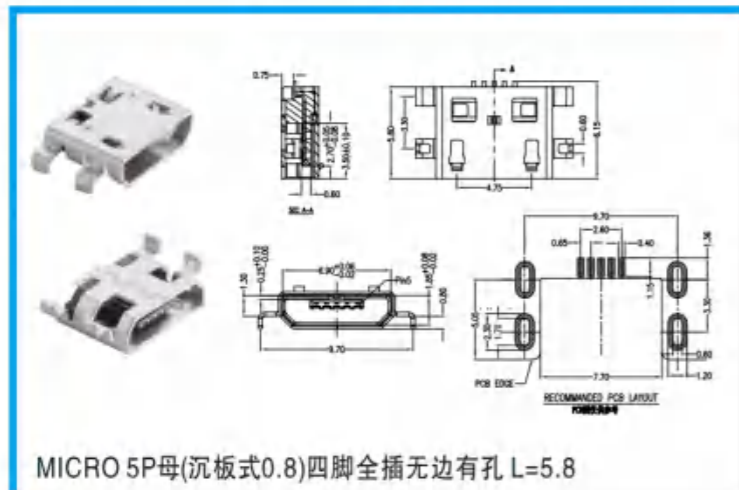
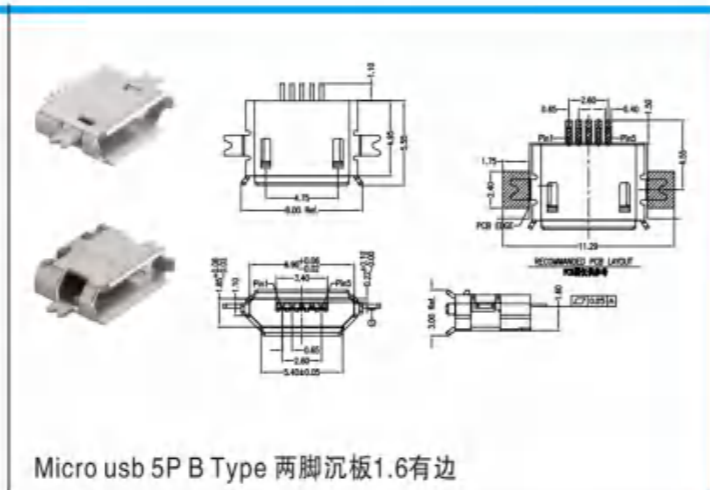
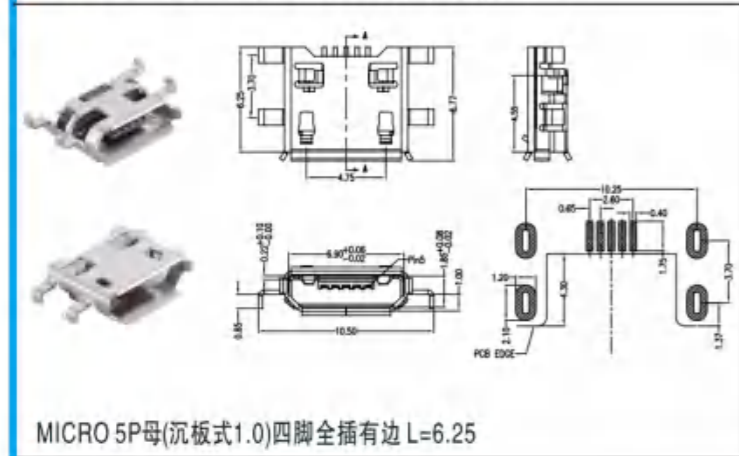
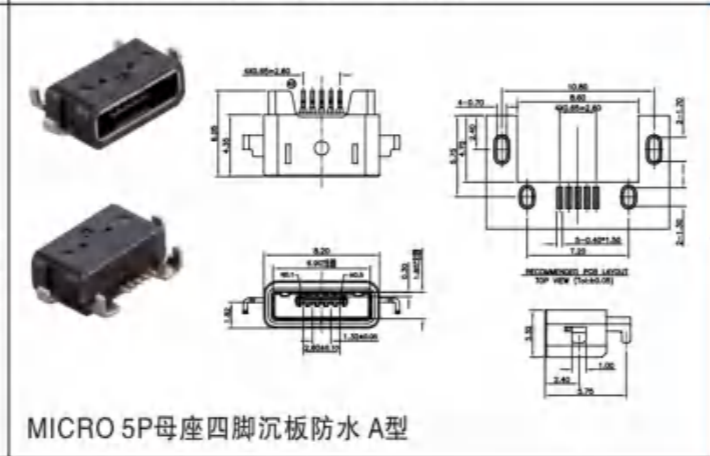
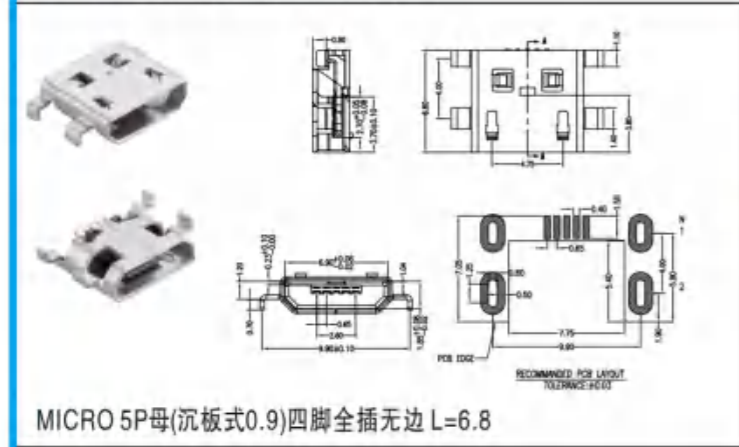
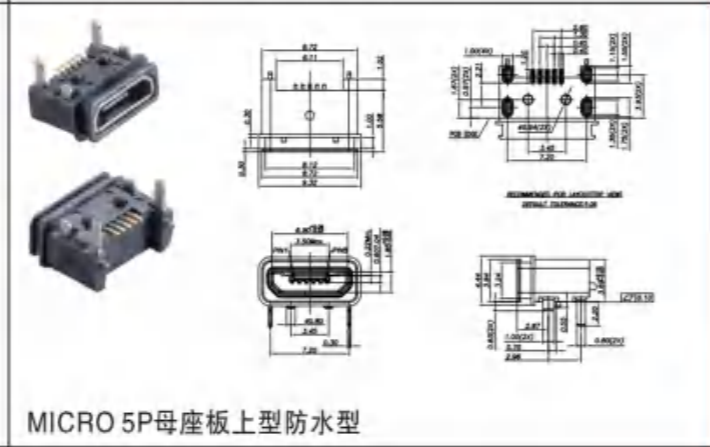
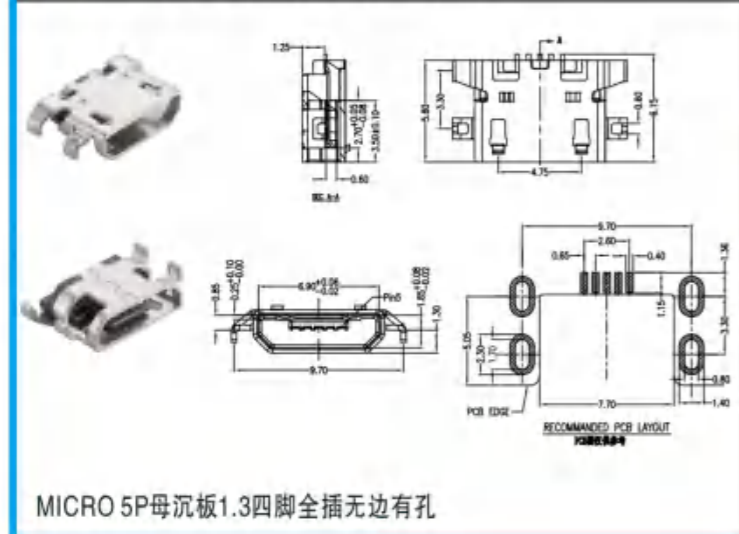
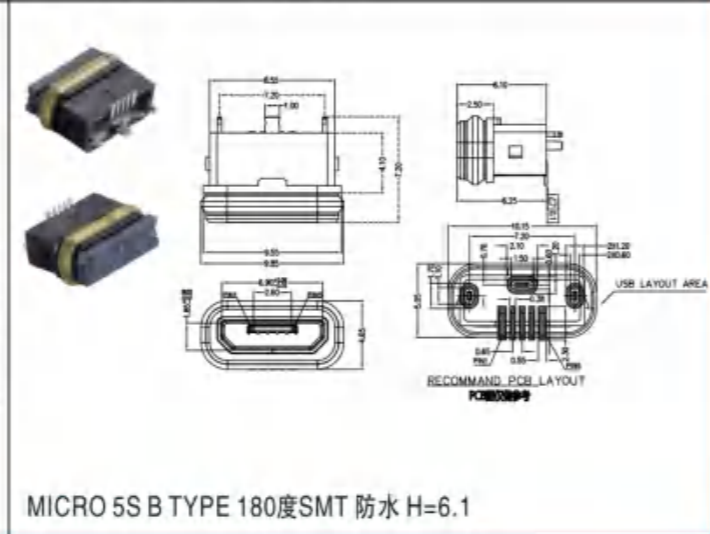
Micro 5P母座四脚插板
7.2有柱有边脚长1.1短端

MICRO USB 5S B TYPE牛角型
全插6.60 7.2有柱长针无导

(MICRO 5P母座牛角4.85
有边斜后盖内脚5.55

MICRO USB 5S B TYPE牛角型
全插5.0 7.0无柱短针有边

MICRO USB Series

| | |
|---|--|
|  <p>MICRO 5P母(沉板式0.8)四脚全插无边有孔 L=5.8</p> |  <p>Micro usb 5P B Type 两脚沉板1.6有边</p> |
|  <p>MICRO 5P母(沉板式1.0)四脚全插有边 L=6.25</p> |  <p>MICRO 5P母座四脚沉板防水 A型</p> |
|  <p>MICRO 5P母(沉板式0.9)四脚全插无边 L=6.8</p> |  <p>MICRO 5P母座板上型防水型</p> |
|  <p>MICRO 5P母沉板1.3四脚全插无边有孔</p> |  <p>MICRO 5S B TYPE 180度SMT 防水 H=6.1</p> |

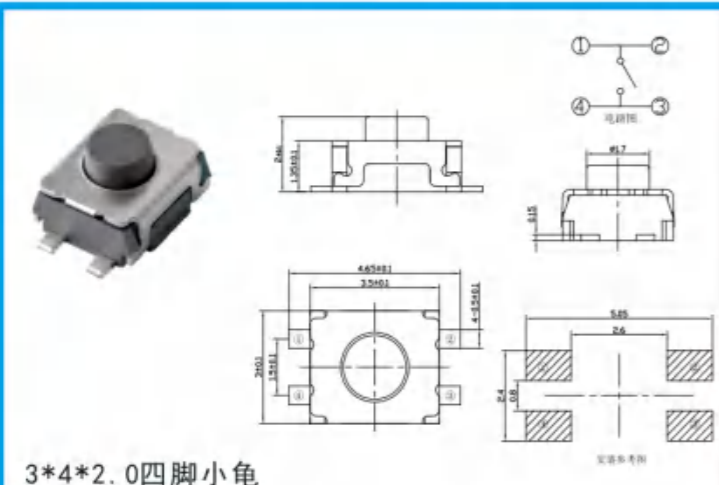
拨动开关 TOGGLE SWITCH

● 拨动开关主要技术指标 Specification of Toggle Switch

| | |
|----------------------------|--|
| 额定电压, 电流 Krating | DC 12V 0.1A 30V 0.3A, DC 50V 0.3A 0.5A DC 60V 0.5A |
| 接触电阻 Contact Resistance | 30m ohm max. |
| 绝缘电阻 Insulation Resistance | 100M ohm at 500V DC |
| 耐电压 Withstand Voltage | AC 500V for 1 min. |
| 动作寿命 Switching Life | ≥10000 cycles |

| | | | | | | |
|-----------|-----------|-----------|-----------|-----------|-----------|-----------|
| AM | AT | AY | BM | BU | FM | GA |
| GB | GC | GD | GE | GS | GX | HG |
| LM | LS | LU | MX | NT | NY | PG |
| PM | RA | RB | RG | SM | SU | TA |
| TB | TC | TD | TE | TF | TG | TH |
| TK | TM | TP | TR | TS | UA | UB |
| UC | UD | UM | VA | VB | VC | WA |
| WB | WC | WG | | | | |

轻触开关 TACT SWITCH

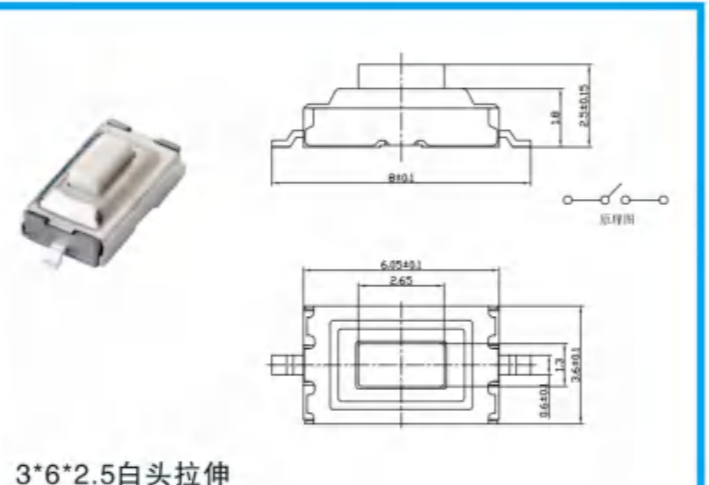


3*4*2.0四脚小龟

安装参考图

电原理图

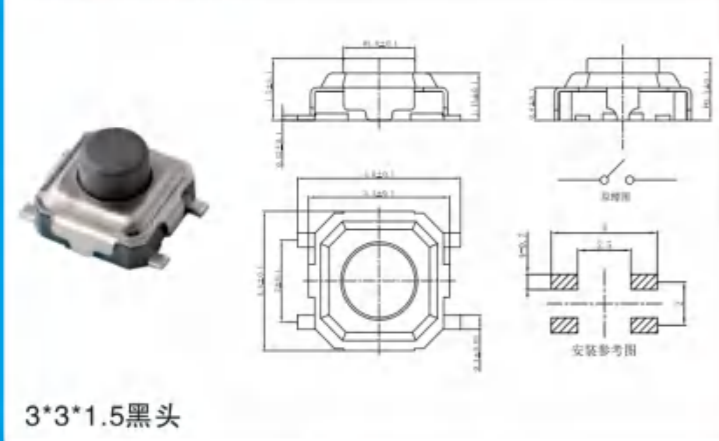
尺寸图



3*6*2.5白头拉伸

电原理图

尺寸图

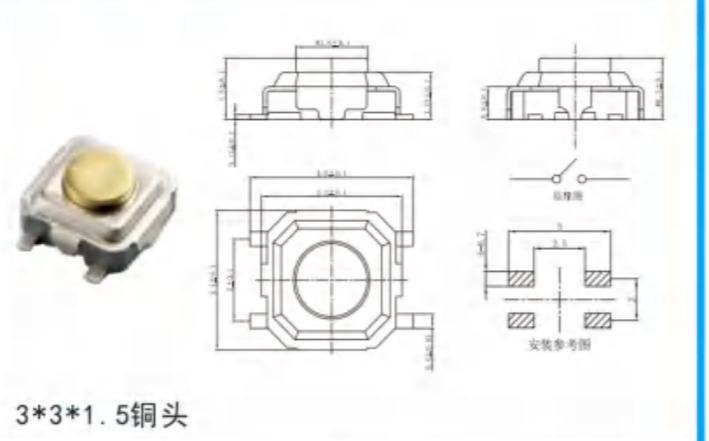


3*3*1.5黑头

安装参考图

电原理图

尺寸图

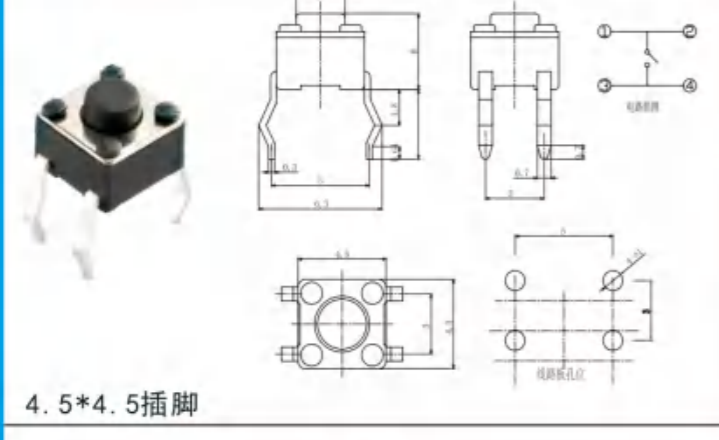


3*3*1.5铜头

安装参考图

电原理图

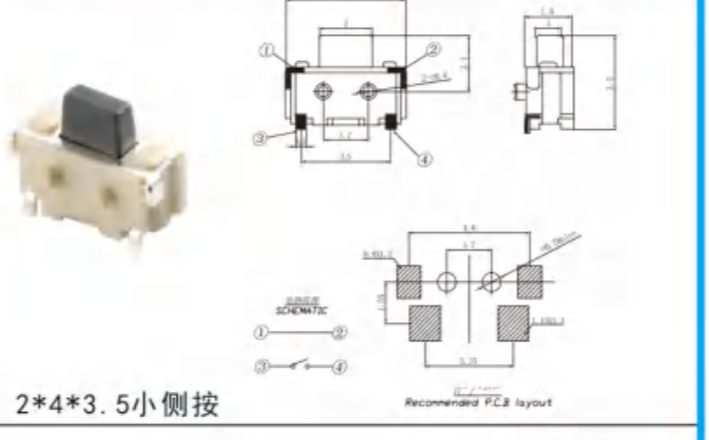
尺寸图



4.5*4.5插脚

电原理图

尺寸图

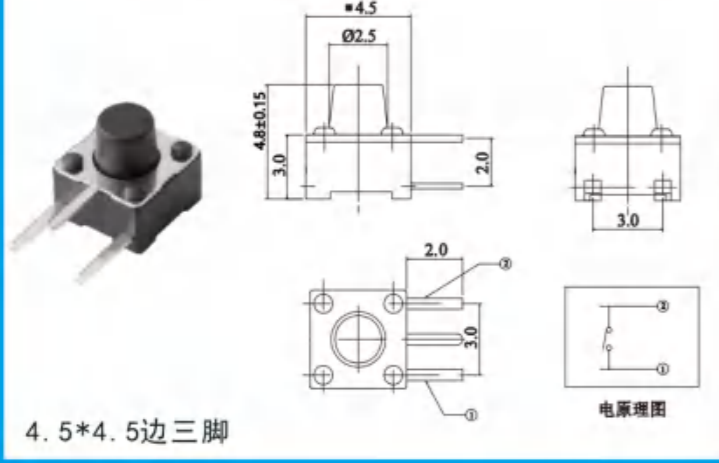


2*4*3.5小侧按

电原理图

Recommended PCB layout

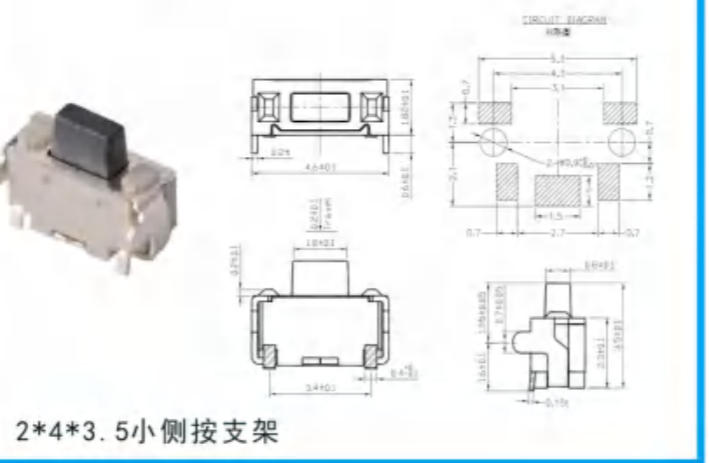
尺寸图



4.5*4.5边三角

电原理图

尺寸图

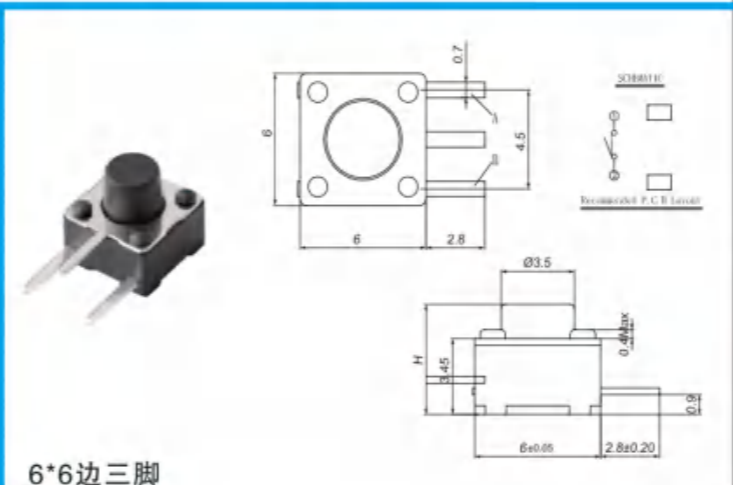


2*4*3.5小侧按支架

电原理图

尺寸图

轻触开关 TACT SWITCH

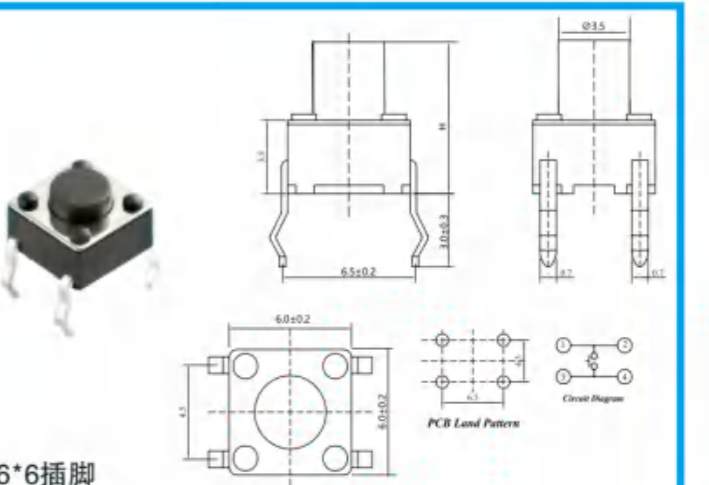


6*6边三角

电原理图

Recommended P.C.B Layout

尺寸图

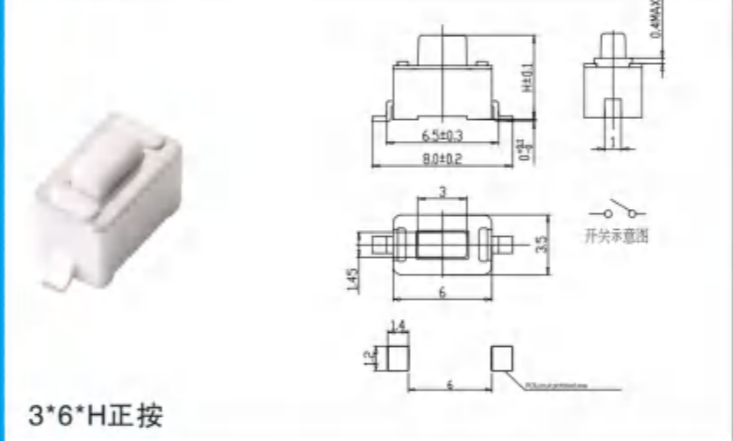


6*6插脚

电原理图

PCB Land Pattern

尺寸图

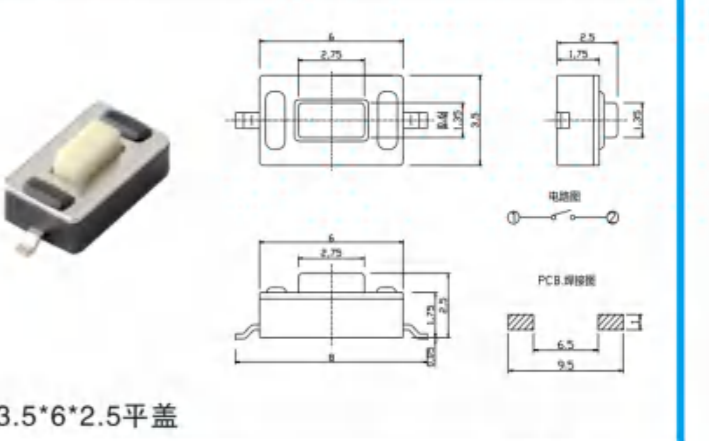


3*6*H正按

电原理图

开关示意图

尺寸图

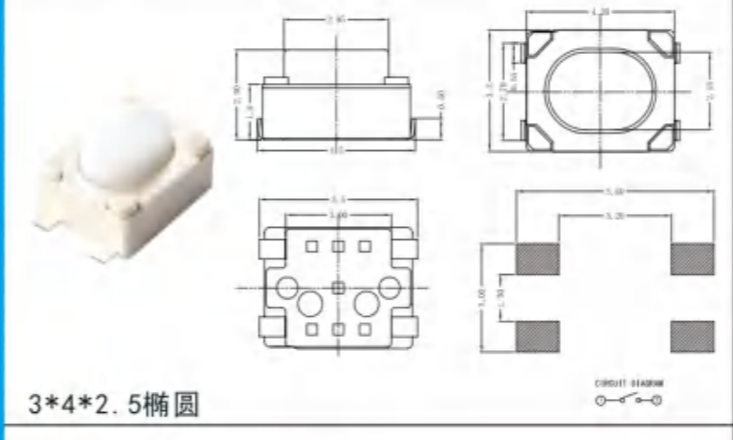


3.5*6*2.5平盖

电原理图

PCB焊盘图

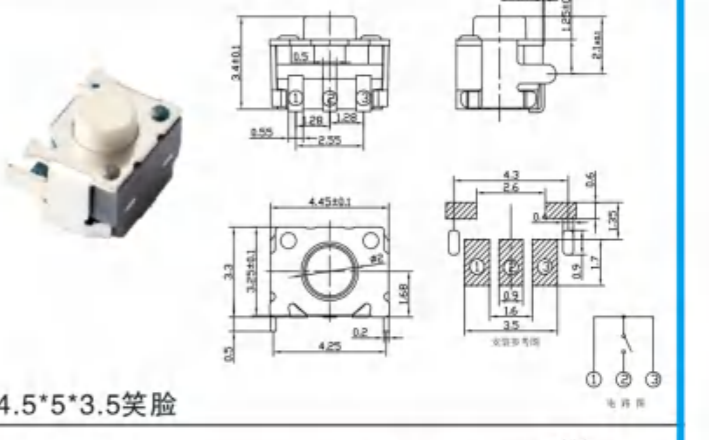
尺寸图



3*4*2.5椭圆

电原理图

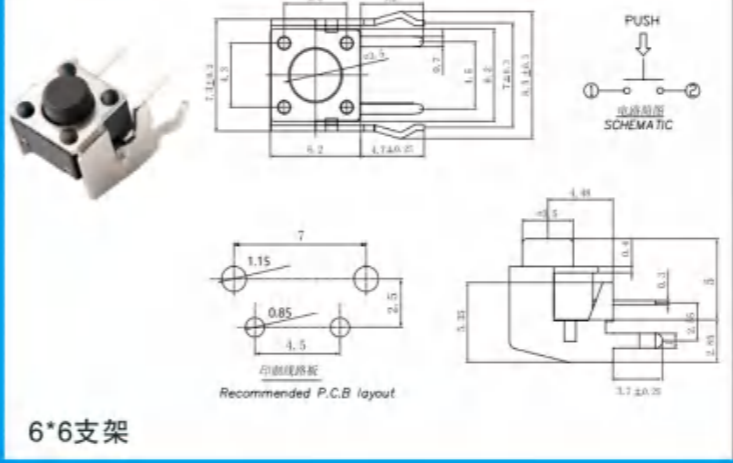
尺寸图



4.5*5*3.5笑脸

电原理图

尺寸图

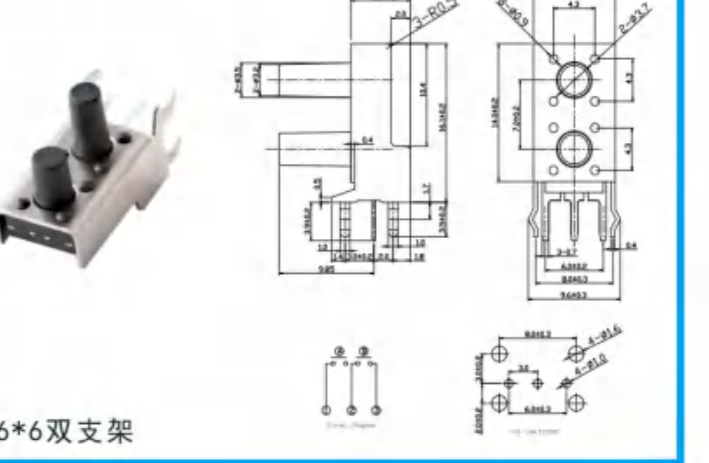


6*6支架

电原理图

Recommended P.C.B layout

尺寸图


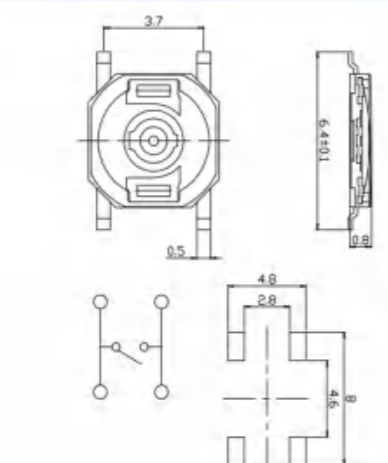

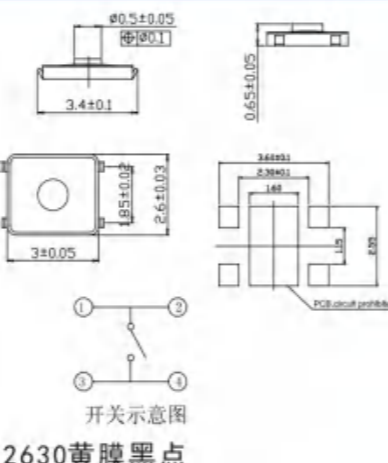
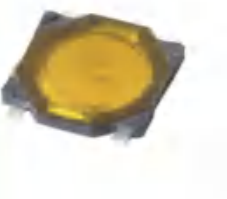
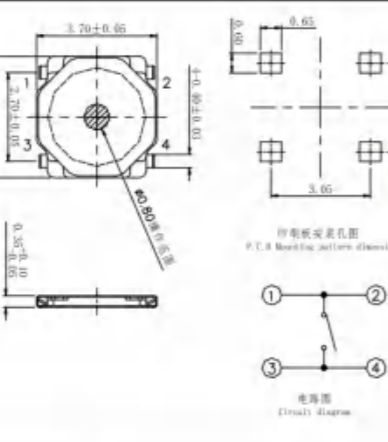

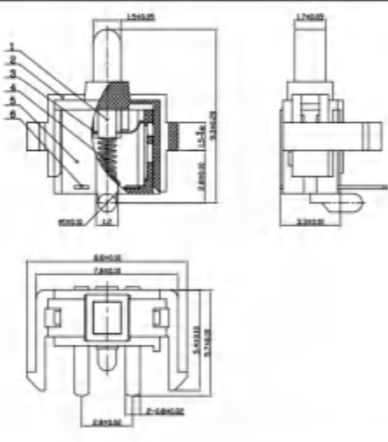
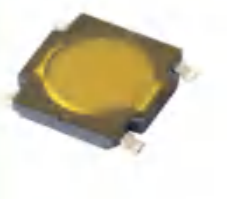
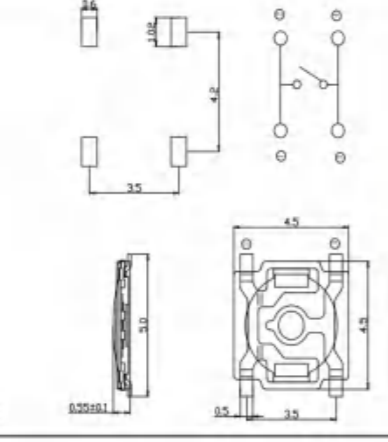

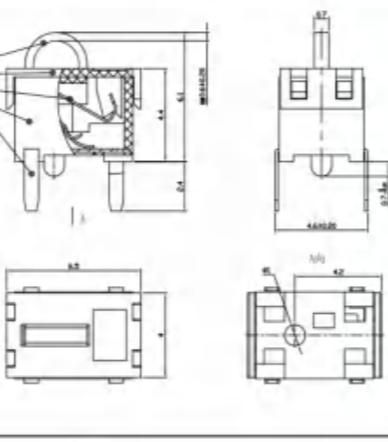

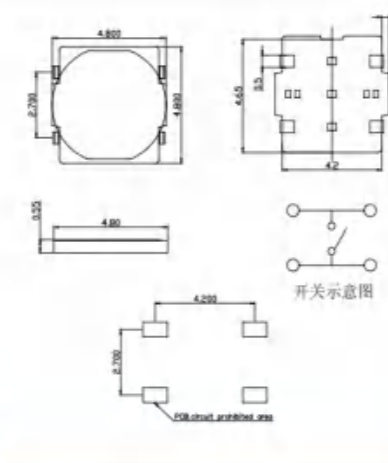

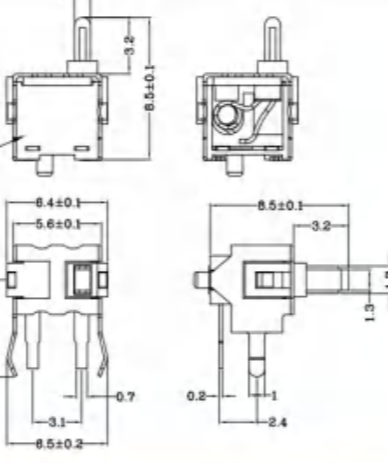


6*6双支架


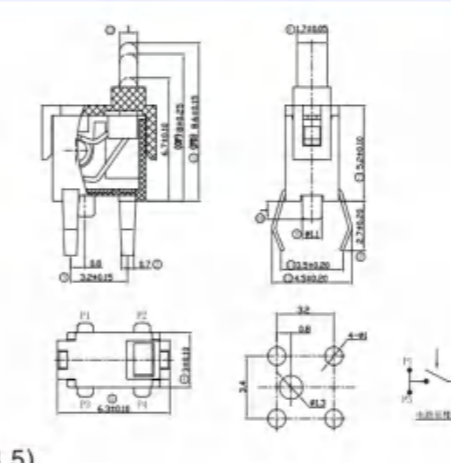

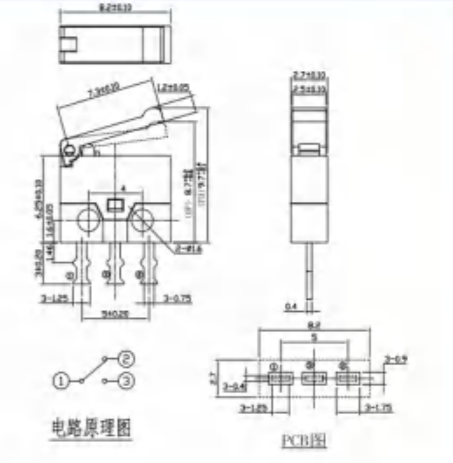

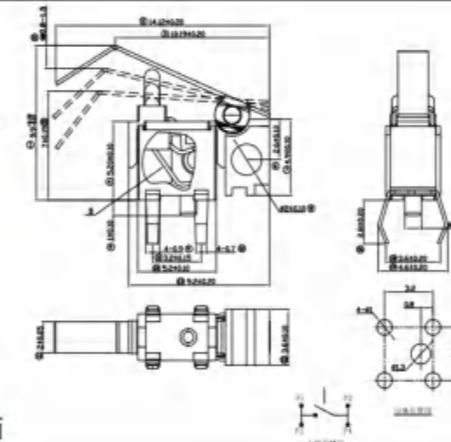

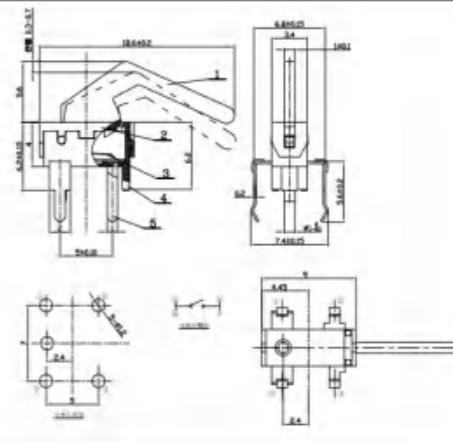
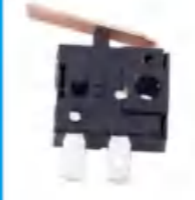
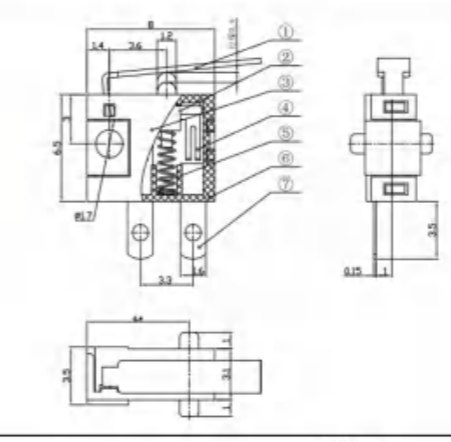

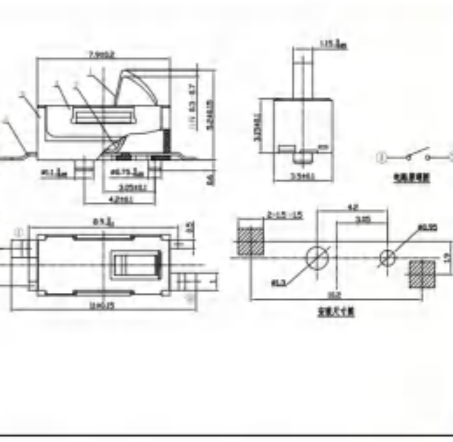

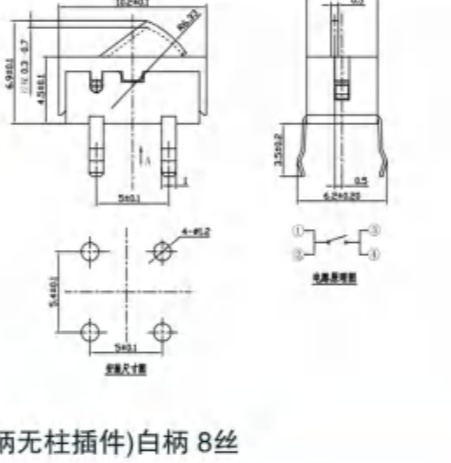

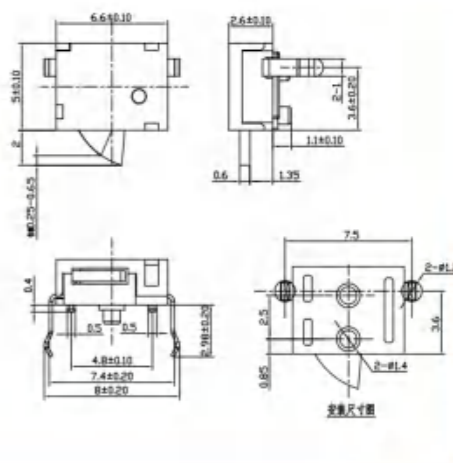
电原理图

尺寸图

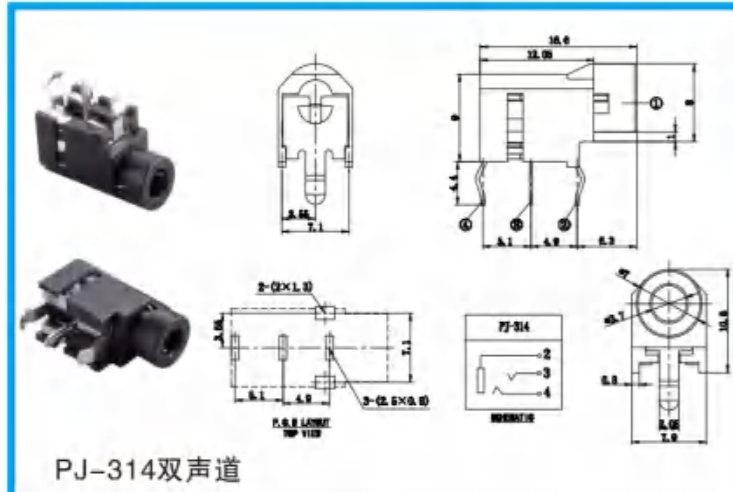
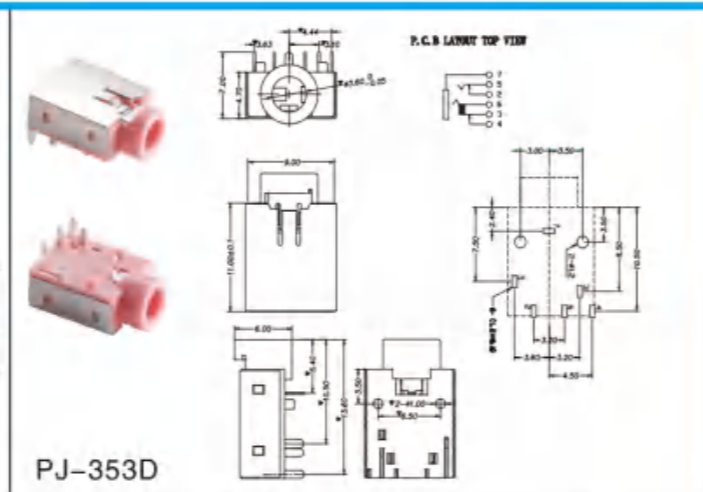
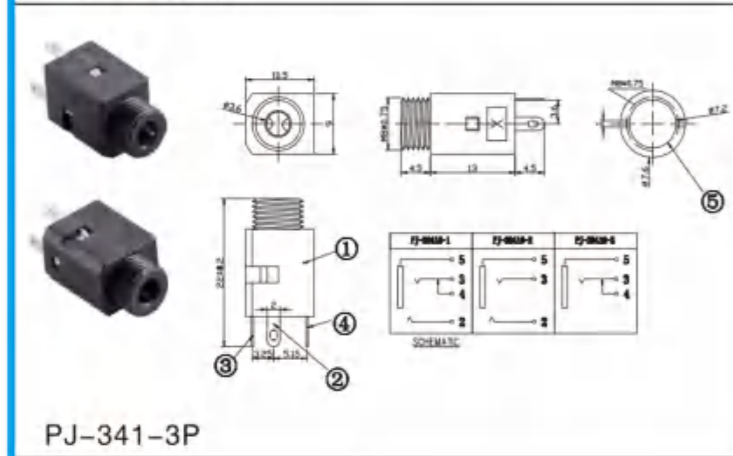
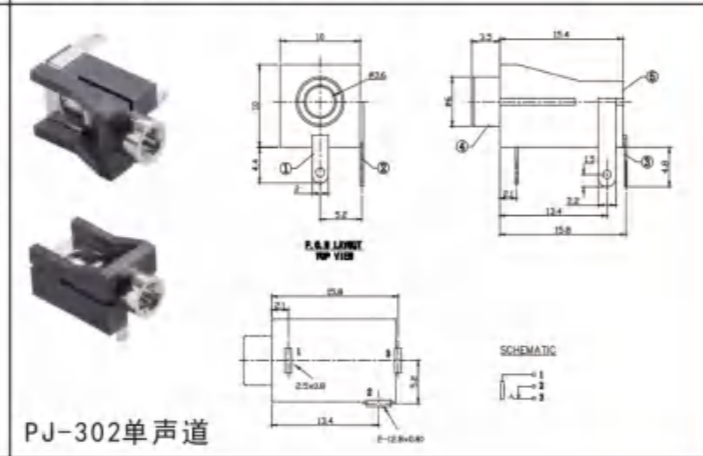
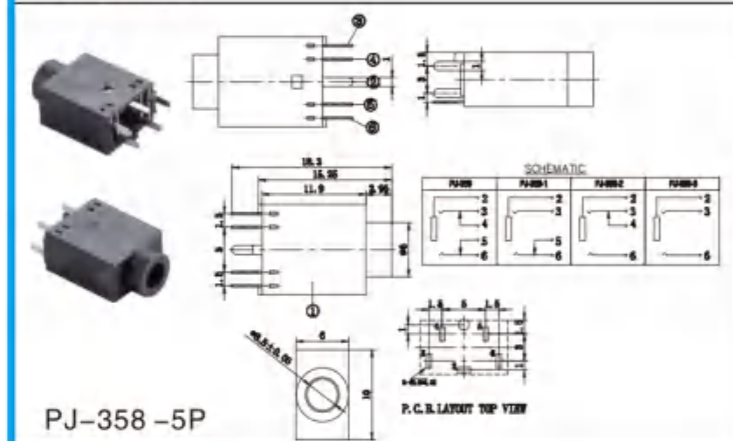
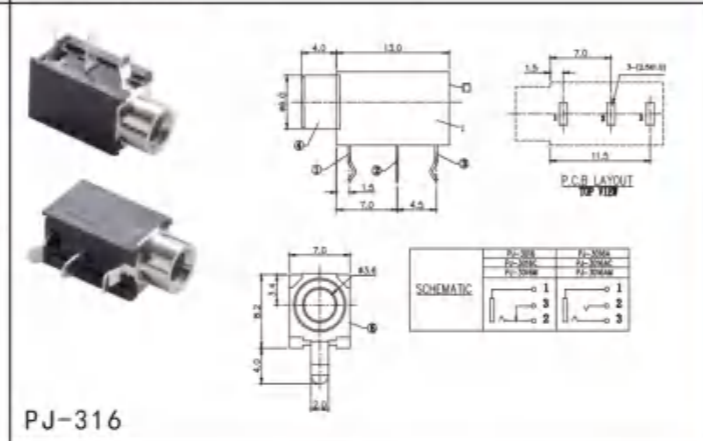
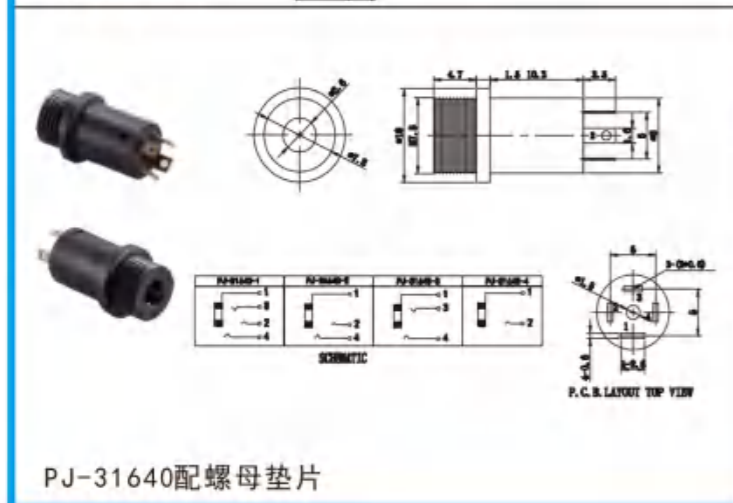
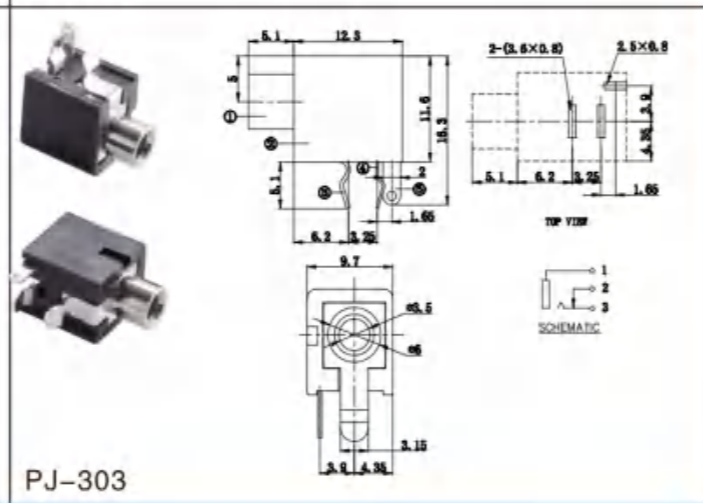
轻触开关 TACT SWITCH

| | |
|--|---|
|   <p>4*4*0.8薄膜</p> |   <p>2.6*3.0*0.65mm 2630黄膜黑点</p> |
|   <p>3.7*3.7*0.35薄膜</p> |   <p>KFC-V-108</p> |
|   <p>4.5*4.5*0.55薄膜</p> |   <p>KFC-V-104R</p> |
|   <p>4.8*4.8*0.55薄膜</p> |   <p>KFC-V-112</p> |

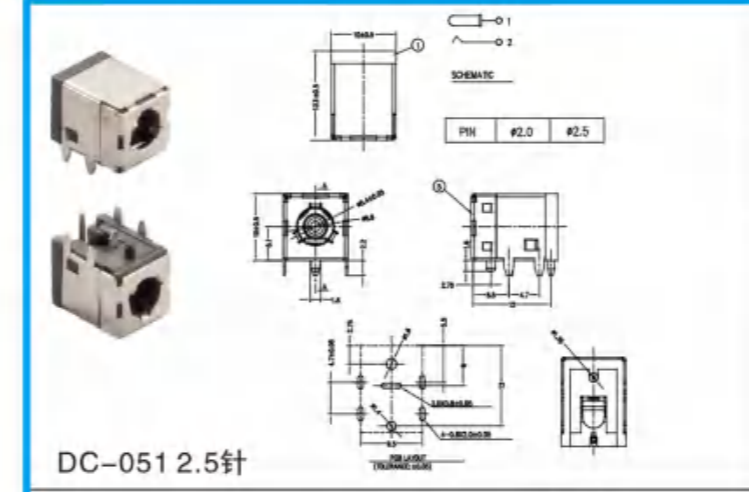
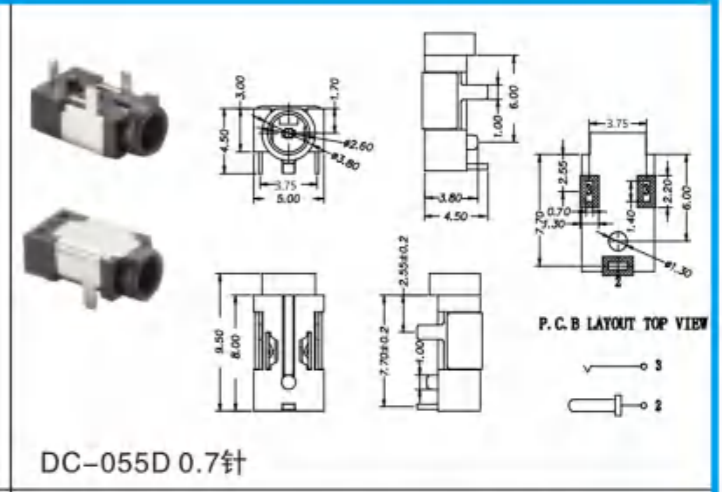
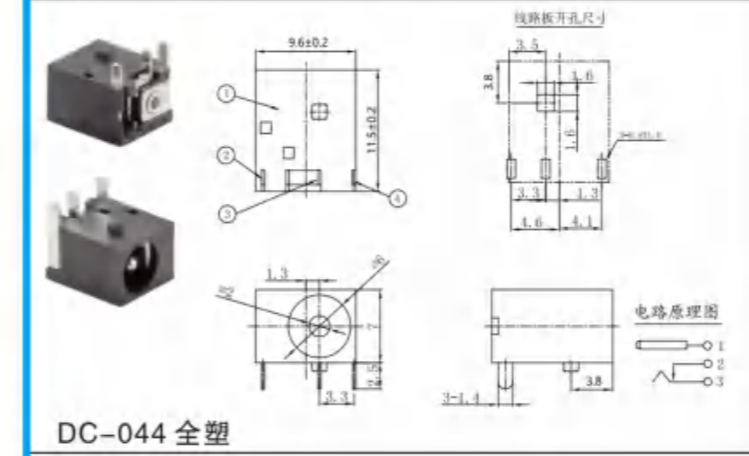
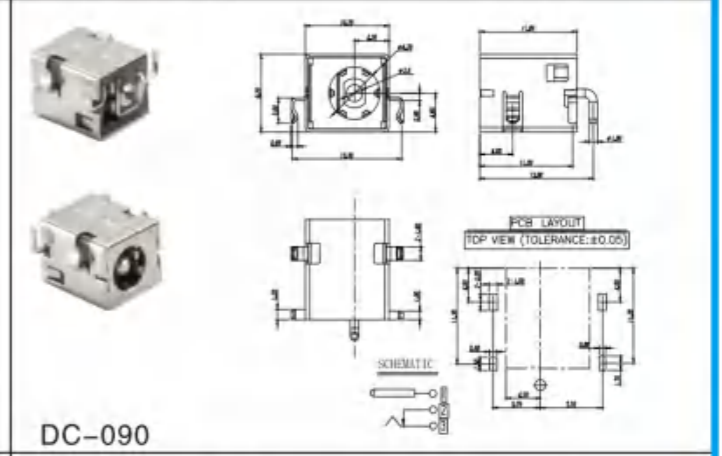
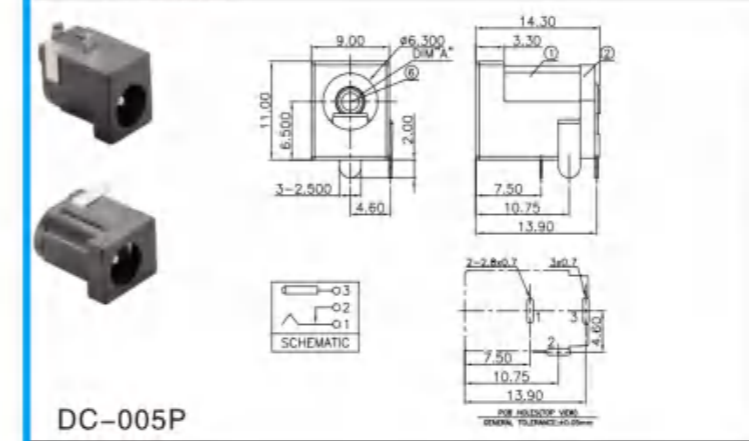
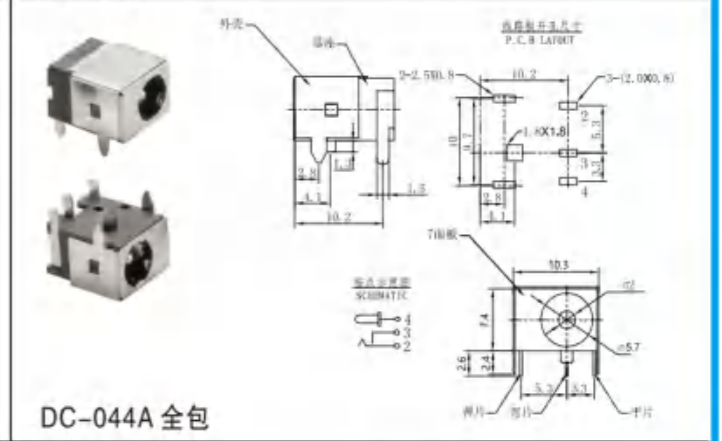
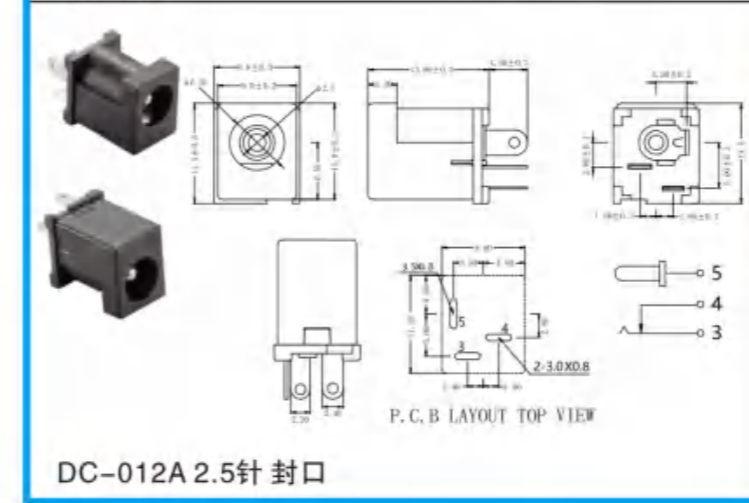
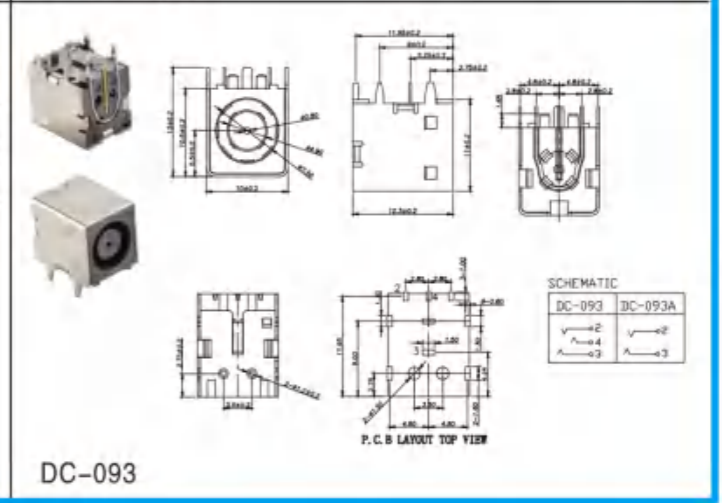
检测开关 DETECTION SWITCH

| | |
|---|--|
|   <p>KFC-V-107(H8.5)</p> |   <p>KFC-V-307直脚</p> |
|   <p>KFC-V-107铁柄</p> |   <p>KFC-LS-106</p> |
|   <p>KFC-V-103</p> |   <p>KFC-V-310</p> |
|   <p>KFC-V-105(尖柄无柱插件)白柄 8丝</p> |   <p>KFC-V-405</p> |

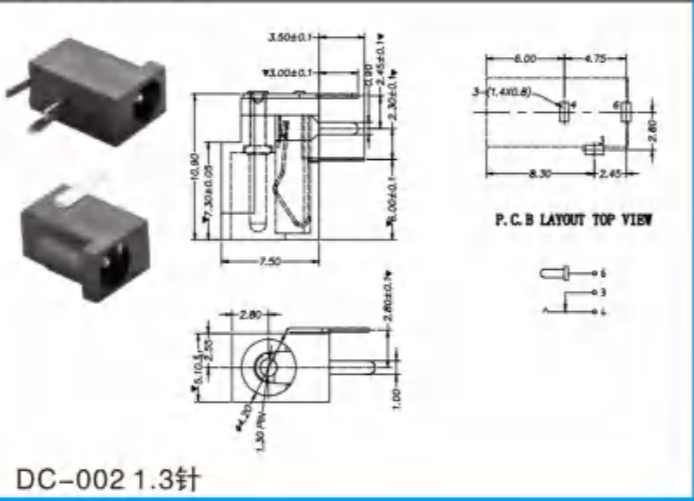
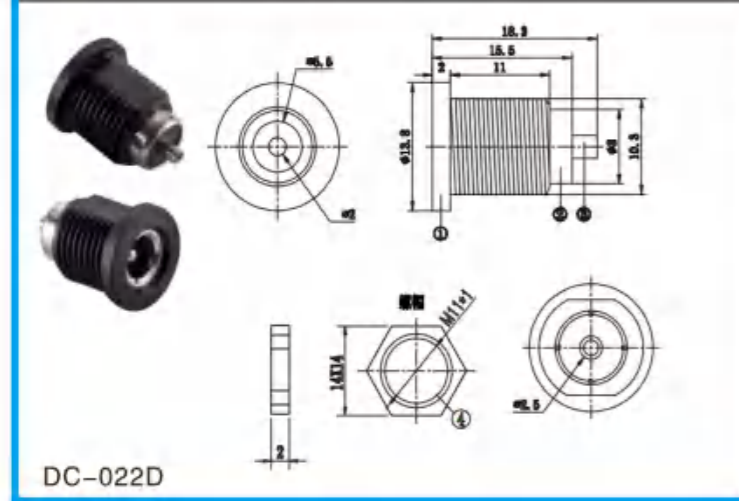
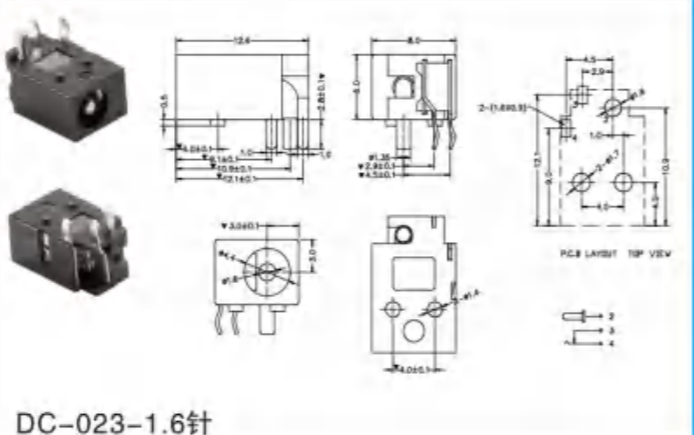
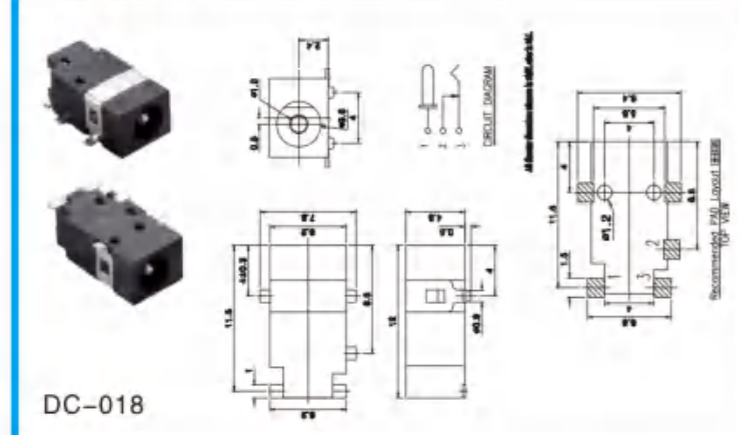
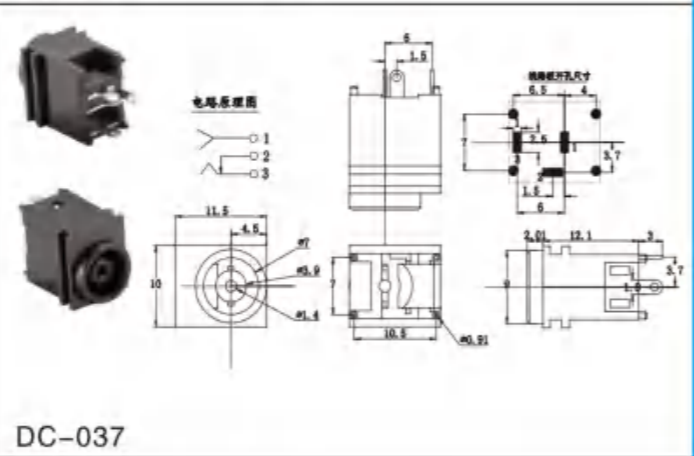
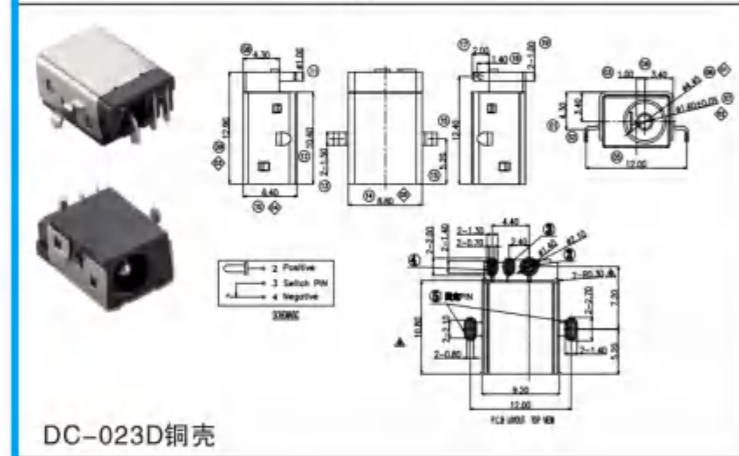
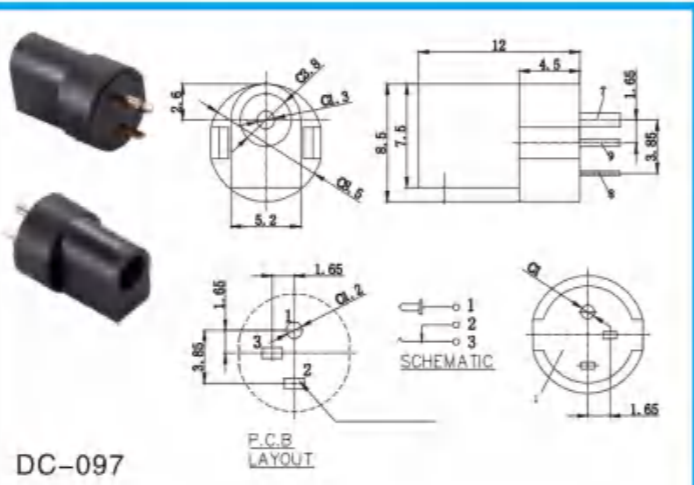
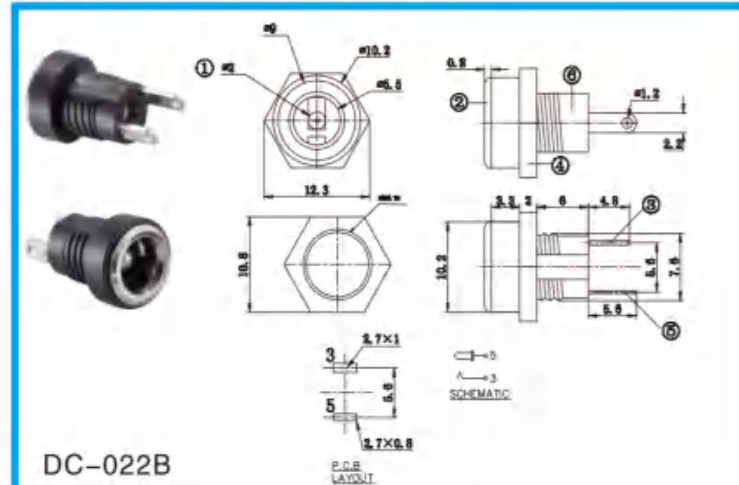
3.5耳机插座 3.5 PHONE JACK

| | |
|---|--|
|  <p>PJ-314双声道</p> |  <p>PJ-353D</p> |
|  <p>PJ-341-3P</p> |  <p>PJ-302单声道</p> |
|  <p>PJ-358-5P</p> |  <p>PJ-316</p> |
|  <p>PJ-31640配螺母垫片</p> |  <p>PJ-303</p> |

DC 电源插座 DC POWER JACK

| | |
|--|---|
|  <p>DC-051 2.5针</p> |  <p>DC-055D 0.7针</p> |
|  <p>DC-044 全塑</p> |  <p>DC-090</p> |
|  <p>DC-005P</p> |  <p>DC-044A 全包</p> |
|  <p>DC-012A 2.5针 封口</p> |  <p>DC-093</p> |

DC 电源插座 DC POWER JACK



DC 电源插座 DC POWER JACK

